

## FLOOR-TYPE AIR CONDITIONERS

### INDOOR UNIT

MFZ-KW25VG MFZ-KW35VG MFZ-KW50VG MFZ-KW60VG



OPERATING INSTRUCTIONS

BEDIENUNGSANLEITUNG

NOTICE D'UTILISATION

BEDIENINGSINSTRUCTIES

MANUAL DE INSTRUCCIONES

LIBRETTO D'ISTRUZIONI

ΟΔΗΓΙΕΣ ΛΕΙΤΟΥΡΓΙΑΣ

INSTRUÇÕES DE OPERAÇÃO

BETJENINGSVEJLEDNING

BRUKSANVISNING

РЪКОВОДСТВО ЗА ЕКСПЛОАТАЦИЯ

INSTRUKCJA OBSŁUGI

BRUKSANVISNING

KÄYTTÖOHJEET

NÁVOD K OBSLUZE

NÁVOD NA OBSLUHU

HASZNÁLATI ÚTMUTATÓ

NAVODILA ZA UPORABO

INSTRUCȚIUNI DE UTILIZARE

KASUTUSJUHEND

LIETOŠANAS INSTRUKCIJAS

NAUDOJIMO INSTRUKCIJA

UPUTE ZA UPORABU

UPUTSTVA ZA RUKOVANJE

English

Deutsch

Français

Nederlands

Español

Italiano

Ελληνικά

Português

Dansk

Svenska

Български

Polski

Norsk

Suomi

Čeština

Slovenčina

Magyar

Slovenščina

Română

Eesti

Latviski

Lietuviškai

Hrvatski

Srpski

# SAFETY PRECAUTIONS

## Meanings of symbols displayed on indoor unit and/or outdoor unit

	<b>WARNING</b> (Risk of fire)	This unit uses a flammable refrigerant. If refrigerant leaks and comes in contact with fire or heating part, it will create harmful gas and there is risk of fire.
	Read the OPERATING INSTRUCTIONS carefully before operation.	
	Service personnel are required to carefully read the OPERATING INSTRUCTIONS and INSTALLATION MANUAL before operation.	
	Further information is available in the OPERATING INSTRUCTIONS, INSTALLATION MANUAL, and the like.	

- Since rotating parts and parts which could cause an electric shock are used in this product, be sure to read these "Safety Precautions" before use.
- Since the cautionary items shown here are important for safety, be sure to observe them.
- After reading this manual, keep it together with the installation manual in a handy place for easy reference.

### Marks and their meanings

- WARNING** : Incorrect handling could cause serious hazard, such as death, serious injury, etc. with a high probability.
- CAUTION** : Incorrect handling could cause serious hazard depending on the conditions.

### Meanings of symbols used in this manual



- : Be sure not to do.
- : Be sure to follow the instruction.
- : Never insert your finger or stick, etc.
- : Never step onto the indoor/outdoor unit and do not put anything on them.
- : Danger of electric shock. Be careful.
- : Be sure to disconnect the power supply plug from the power outlet.
- : Be sure to shut off the power.
- : Risk of fire.




<b>WARNING</b>	
	<b>Do not connect the power cord to an intermediate point, use an extension cord, or connect multiple devices to a single AC outlet.</b> <ul style="list-style-type: none"> <li>• This may cause overheating, fire, or electric shock.</li> </ul>
	<b>Make sure the power plug is free of dirt and insert it securely into the outlet.</b> <ul style="list-style-type: none"> <li>• A dirty plug may cause fire or electric shock.</li> </ul>
	<b>Do not bundle, pull, damage, or modify the power cord, and do not apply heat or place heavy objects on it.</b> <ul style="list-style-type: none"> <li>• This may cause fire or electric shock.</li> </ul>
	<b>Do not turn the breaker OFF/ON or disconnect/connect the power plug during operation.</b> <ul style="list-style-type: none"> <li>• This may create sparks, which can cause fire.</li> <li>• After the indoor unit is switched OFF with the remote controller, make sure to turn the breaker OFF or disconnect the power plug.</li> </ul>
	<b>Do not expose your body directly to cool air for a prolonged length of time.</b> <ul style="list-style-type: none"> <li>• This could be detrimental to your health.</li> </ul>
	<b>The unit should not be installed, relocated, disassembled, altered, or repaired by the user.</b> <ul style="list-style-type: none"> <li>• An improperly handled air conditioner may cause fire, electric shock, injury, or water leakage, etc. Consult your dealer.</li> <li>• If the power supply cord is damaged, it must be replaced by the manufacturer or its service agent in order to avoid a hazard.</li> </ul>
	<b>When installing, relocating, or servicing the unit, make sure that no substance other than the specified refrigerant (R32/R410A) enters the refrigerant circuit.</b> <ul style="list-style-type: none"> <li>• Any presence of foreign substance such as air can cause abnormal pressure rise and may result in explosion or injury.</li> <li>• The use of any refrigerant other than that specified for the system will cause mechanical failure, system malfunction, or unit breakdown. In the worst case, this could lead to a serious impediment to securing product safety.</li> </ul>
	<b>This appliance is not intended for use by persons (including children) with reduced physical, sensory or mental capabilities, or lack of experience and knowledge, unless they have been given supervision or instruction concerning use of the appliance by a person responsible for their safety.</b>
	<b>Children should be supervised to ensure that they do not play with the appliance.</b>
	<b>Do not turn the breaker OFF except the case of burning smell, or when performing maintenance or inspection.</b> <ul style="list-style-type: none"> <li>• The refrigerant leakage cannot be detected, and this may cause a fire.</li> </ul>
	<b>Do not install the unit in a place where smoke, gas, or chemicals may fill.</b> <ul style="list-style-type: none"> <li>• Do not use any gas equipment for propane, butane or methane, sprays such as bug killer, and paint etc., near by the indoor unit.</li> <li>• The refrigerant sensor reacts to it and displays an error. This may cause the unit not to operate.</li> </ul>

	<b>(Procedure in case of refrigerant leakage)</b> <b>If the refrigerant leaks, extinguish a fire such as a heater, and ventilate the room adequately by opening the window.</b> <ul style="list-style-type: none"> <li>• Then contact your dealer.</li> <li>• The indoor unit spreads the refrigerant by FAN mode to prevent a fire. Do not turn the breaker OFF during this situation.</li> </ul>
	<b>Do not insert your finger, a stick, or other objects into the air inlet or outlet.</b> <ul style="list-style-type: none"> <li>• This may cause injury, since the fan inside rotates at high speeds during operation.</li> </ul>
	<b>In case of an abnormal condition (such as a burning smell), stop the air conditioner and disconnect the power plug or turn the breaker OFF.</b> <ul style="list-style-type: none"> <li>• A continued operation in the abnormal state may cause a malfunction, fire, or electric shock. In this case, consult your dealer.</li> </ul>
	<b>When the air conditioner does not cool or heat, there is a possibility of refrigerant leakage. If any refrigerant leakage is found, ventilate the room well and consult your dealer immediately. Do not turn the breaker OFF. If a repair involves recharging the unit with refrigerant, ask the service technician for details.</b> <ul style="list-style-type: none"> <li>• The refrigerant used in the air conditioner is not harmful. Normally, it does not leak. However, if refrigerant leaks and comes in contact with fire or heating part of such a fan heater, kerosene heater, or cooking stove, it will create harmful gas and there is risk of fire.</li> </ul>
	<b>The user should never attempt to wash the inside of the indoor unit. Should the inside of the unit require cleaning, contact your dealer.</b> <ul style="list-style-type: none"> <li>• Unsuitable detergent may cause damage to plastic material inside the unit, which may result in water leakage. Should detergent come in contact with electrical parts or the motor, it will result in a malfunction, smoke, or fire.</li> <li>• The appliance shall be stored in a room without continuously operating ignition sources (for example: open flames, an operating gas appliance or an operating electric heater).</li> <li>• Be aware that refrigerants may not contain an odour.</li> <li>• Do not use means to accelerate the defrosting process or to clean the appliance, other than those recommended by the manufacturer.</li> <li>• Do not pierce or burn.</li> </ul>
	<b>This unit should be installed in rooms which exceed the floor space specified in installation manual.</b> <ul style="list-style-type: none"> <li>• Refer to installation manual.</li> </ul>
	<b>This appliance is intended to be used by expert or trained users in shops, in light industry and on farms, or for commercial use by laypersons.</b>

# SAFETY PRECAUTIONS

## ⚠ CAUTION

	<p><b>Do not touch the air inlet or the aluminum fins of the indoor/outdoor unit.</b></p> <ul style="list-style-type: none"> <li>This may cause injury.</li> </ul>
	<p><b>Do not use insecticides or flammable sprays on the unit.</b></p> <ul style="list-style-type: none"> <li>This may cause a fire or deformation of the unit.</li> </ul>
	<p><b>Do not expose pets or houseplants to direct airflow.</b></p> <ul style="list-style-type: none"> <li>This may cause injury to the pets or plants.</li> </ul>
	<p><b>Do not place other electric appliances or furniture under the indoor/outdoor unit.</b></p> <ul style="list-style-type: none"> <li>Water may drip down from the unit, which may cause damage or malfunction.</li> </ul>
	<p><b>Do not leave the unit on a damaged installation stand.</b></p> <ul style="list-style-type: none"> <li>The unit may fall and cause injury.</li> </ul>
	<p><b>Do not step on an unstable bench to operate or clean the unit.</b></p> <ul style="list-style-type: none"> <li>This may cause injury if you fall down.</li> </ul>
	<p><b>Do not pull the power cord.</b></p> <ul style="list-style-type: none"> <li>This may cause a portion of the core wire to break, which may cause overheating or fire.</li> </ul>
	<p><b>Do not charge or disassemble the batteries, and do not throw them into a fire.</b></p> <ul style="list-style-type: none"> <li>This may cause the batteries to leak, or cause a fire or explosion.</li> </ul>
	<p><b>Do not operate the unit for more than 4 hours at high humidity (80% RH or more) and/or with windows or outside door left open.</b></p> <ul style="list-style-type: none"> <li>This may cause the water condensation in the air conditioner, which may drip down, wetting or damaging the furniture.</li> <li>The water condensation in the air conditioner may contribute to growth of fungi, such as mold.</li> </ul>
	<p><b>Do not use the unit for special purposes, such as storing food, raising animals, growing plants, or preserving precision devices or art objects.</b></p> <ul style="list-style-type: none"> <li>This may cause deterioration of quality, or harm to animals and plants.</li> </ul>
	<p><b>Do not expose combustion appliances to direct airflow.</b></p> <ul style="list-style-type: none"> <li>This may cause incomplete combustion.</li> </ul>
	<p><b>Never put batteries in your mouth for any reason to avoid accidental ingestion.</b></p> <ul style="list-style-type: none"> <li>Battery ingestion may cause choking and/or poisoning.</li> </ul>
	<p><b>Before cleaning the unit, switch it OFF and disconnect the power plug or turn the breaker OFF.</b></p> <ul style="list-style-type: none"> <li>This may cause injury, since the fan inside rotates at high speeds during operation.</li> </ul>
	<p><b>Replace all batteries of the remote controller with new ones of the same type.</b></p> <ul style="list-style-type: none"> <li>Using an old battery together with a new one may cause overheating, leakage, or explosion.</li> </ul>
	<p><b>If the battery fluid comes in contact with your skin or clothes, wash them thoroughly with clean water.</b></p> <ul style="list-style-type: none"> <li>If the battery fluid comes in contact with your eyes, wash them thoroughly with clean water and immediately seek medical attention.</li> </ul>
	<p><b>Ensure that the area is well-ventilated when the unit is operated together with a combustion appliance.</b></p> <ul style="list-style-type: none"> <li>Inadequate ventilation may cause oxygen starvation.</li> </ul>



	<p><b>Turn the breaker OFF when you hear thunder and there is a possibility of a lightning strike.</b></p> <ul style="list-style-type: none"> <li>The unit may be damaged if lightning strikes.</li> </ul>
	<p><b>After the air conditioner is used for several seasons, perform inspection and maintenance in addition to normal cleaning.</b></p> <ul style="list-style-type: none"> <li>Dirt or dust in the unit may create an unpleasant odor, contribute to growth of fungi, such as mold, or clog the drain passage, and cause water to leak from the indoor unit. Consult your dealer for inspection and maintenance, which require specialized knowledge and skills.</li> </ul>
	<p><b>Do not operate switches with wet hands.</b></p> <ul style="list-style-type: none"> <li>This may cause electric shock.</li> </ul>
	<p><b>Do not clean the air conditioner with water or place an object that contains water, such as a flower vase, on it.</b></p> <ul style="list-style-type: none"> <li>This may cause fire or electric shock.</li> </ul>
	<p><b>Do not step on or place any object on the outdoor unit.</b></p> <ul style="list-style-type: none"> <li>This may cause injury if you or the object falls down.</li> </ul>

## ⚠ IMPORTANT


**Dirty filters cause condensation in the air conditioner which will contribute to the growth of fungi such as mold. It is therefore recommended to clean air filters every 2 weeks.**

## For installation

### ⚠ WARNING

	<p><b>Consult your dealer for installing the air conditioner.</b></p> <ul style="list-style-type: none"> <li>It should not be installed by the user since installation requires specialized knowledge and skills. An improperly installed air conditioner may cause water leakage, fire, or electric shock.</li> </ul>
	<p><b>Provide a dedicated power supply for the air conditioner.</b></p> <ul style="list-style-type: none"> <li>A non-dedicated power supply may cause overheating or fire.</li> </ul>
	<p><b>Do not install the unit where flammable gas could leak.</b></p> <ul style="list-style-type: none"> <li>If gas leaks and accumulates around the outdoor unit, it may cause an explosion.</li> </ul>
	<p><b>Earth the unit correctly.</b></p> <ul style="list-style-type: none"> <li>Do not connect the earth wire to a gas pipe, water pipe, lightning rod, or a telephone earth wire. Improper earthing may cause electric shock.</li> </ul>

### ⚠ CAUTION

	<p><b>Install an earth leakage breaker depending on the installation location of the air conditioner (such as highly humid areas).</b></p> <ul style="list-style-type: none"> <li>If an earth leakage breaker is not installed, it may cause electric shock.</li> </ul>
	<p><b>Ensure that the drain water is properly drained.</b></p> <ul style="list-style-type: none"> <li>If the drain passage is improper, water may drip down from the indoor/outdoor unit, wetting and damaging the furniture.</li> </ul>

#### In case of an abnormal condition

Immediately stop operating the air conditioner and consult your dealer.

# DISPOSAL



Fig. 1

To dispose of this product, consult your dealer.

#### Note:

This symbol mark is for EU countries only.  
This symbol mark is according to the directive 2012/19/EU Article 14 Information for users and Annex IX, and/or to the directive 2006/66/EC Article 20 Information for end-users and Annex II.

Your MITSUBISHI ELECTRIC product is designed and manufactured with high quality materials and components which can be recycled and/or reused.

This symbol means that electrical and electronic equipment, batteries and accumulators, at their end-of-life, should be disposed of separately from your household waste.

If a chemical symbol is printed beneath the symbol (Fig. 1), this chemical symbol means that the battery or accumulator contains a heavy metal at a certain concentration. This will be indicated as follows:

Hg: mercury (0.0005%), Cd: cadmium (0.002%), Pb: lead (0.004%)

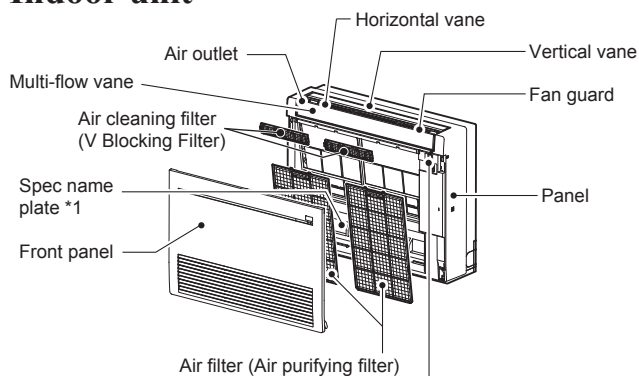
In the European Union there are separate collection systems for used electrical and electronic products, batteries and accumulators.

Please, dispose of this equipment, batteries and accumulators correctly at your local community waste collection/recycling centre.

Please, help us to conserve the environment we live in!

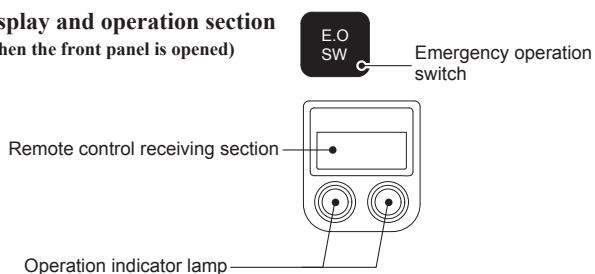
# NAME OF EACH PART

## Indoor unit



\*1 The manufacturing year and month is indicated on the spec name plate.

### Display and operation section (When the front panel is opened)

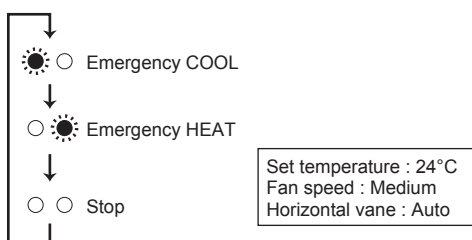


### When the remote controller cannot be used...

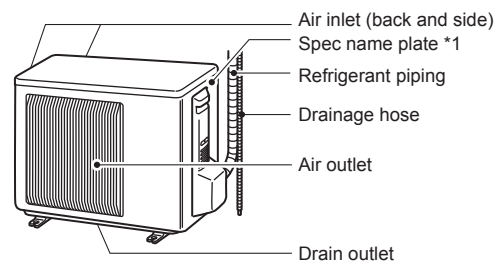
Emergency operation can be activated by pressing the emergency operation switch (E.O SW) on the indoor unit.

Each time the E.O SW is pressed, the operation changes in the following order:

#### Operation indicator lamp



## Outdoor unit



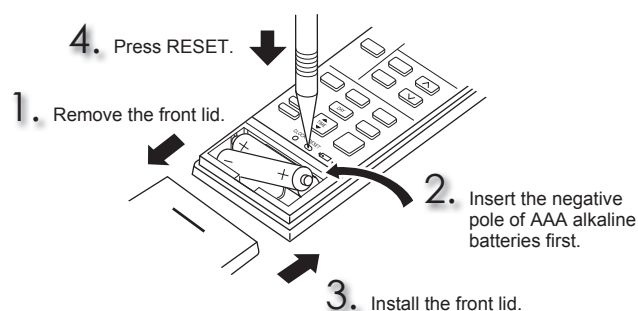
Outdoor units may be different in appearance.

\*1 The manufacturing year and month is indicated on the spec name plate.

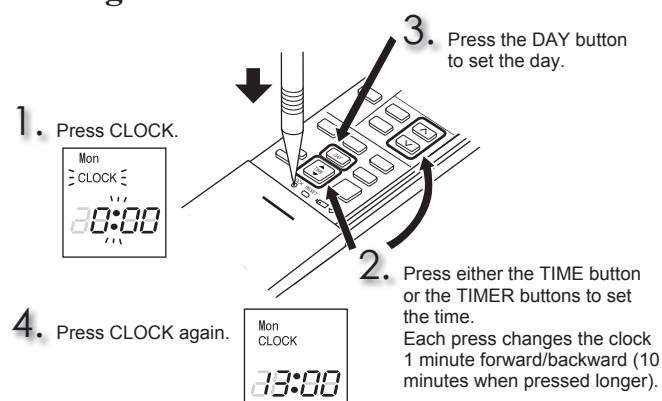
# P REPARATION BEFORE OPERATION

**Before operation:** Insert the power supply plug into the power outlet and/or turn the breaker on.

## Installing the remote controller batteries

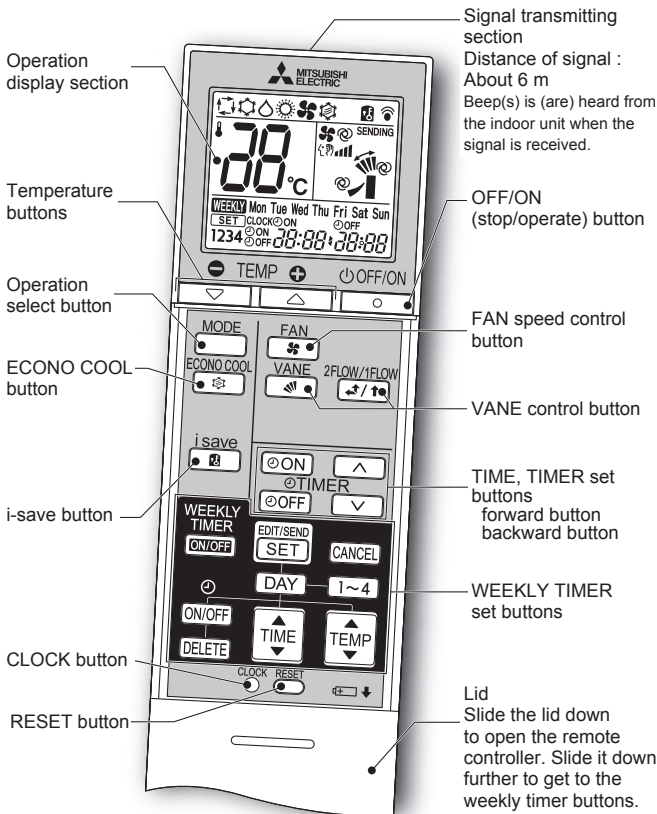


## Setting current time



# PREPARATION BEFORE OPERATION

## Remote controller



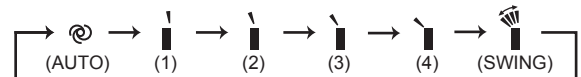
OFF/ON  
 OFF/ON (stop/operate) button

MODE  
 Operation select button

Temperature buttons

FAN  
 FAN speed control button

VANE  
 VANE control button  
 Press to select vertical airflow direction. Each press will change airflow direction in the following order:



- Two short beeps will be heard from the indoor unit when set to AUTO.
- Moving the horizontal vane/multi-flow vane manually can cause trouble.
- The horizontal vane/multi-flow vane automatically moves in certain intervals to determine its position, and then it returns to the set position.
- When the air outlet is switched between 1 FLOW and 2 FLOW, the horizontal vanes may move and change their positions.

2FLOW/1FLOW  
 VANE control button

Press to select the air outlet(s).  
 When 2 FLOW is selected, air blows from the top and the front of the unit. When 1 FLOW is selected, air blows only from the top of the unit.



The multi-flow vane is automatically set to the appropriate position. Even if 2 FLOW is selected, air will blow only from the top of the unit in the following conditions:

- During COOL/DRY: The room temperature is close to set temperature. The air conditioner has operated for 0.5 to 1 hour.
- During HEAT: The air flow temperature is low. (During defrosting operation, start of operation, etc.)

ECONO COOL  
 ECONO COOL button  
 The set temperature and the airflow direction are automatically changed by the microprocessor.

i save  
 i-save button  
 A simplified set back function enables to recall the preferred (preset) setting with a single push of the button. Press the button again and you can go back to the previous setting in an instance.

## TIME, TIMER set buttons

Change the time forward/backward

(ON timer) : The unit turns ON at the set time.

(OFF timer) : The unit turns OFF at the set time.

Press (forward) and (backward) to set the time of timer.

## WEEKLY TIMER set buttons

Press to enter the weekly timer setting mode.

Press and to select setting day and number.



Press , , and to set ON/OFF, time, and temperature.

Press to complete and transmit the weekly timer setting.

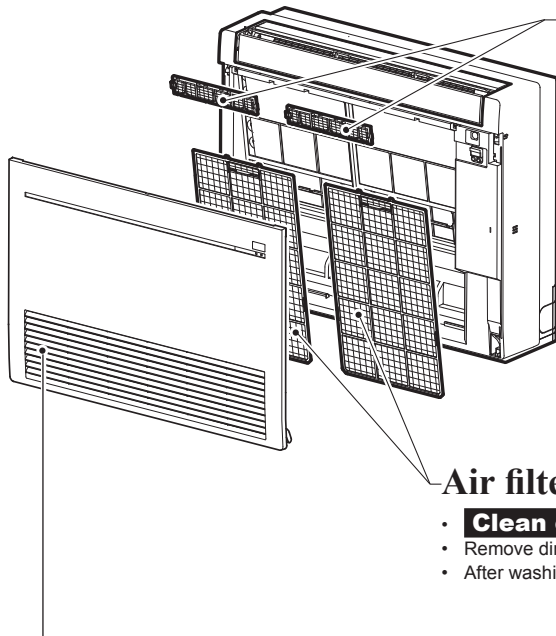
Press to turn the weekly timer ON. ( **WEEKLY** lights.)

Press again to turn the weekly timer OFF. ( **WEEKLY** goes out.)

# CLEANING

## Instructions:

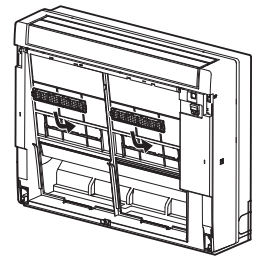
- Switch off the power supply or turn off the breaker before cleaning.
- Be careful not to touch the metal parts with your hands.
- Do not use benzene, thinner, polishing powder, or insecticide.
- When dirt stands out, wash it with kitchen neutral detergent diluted with lukewarm water to the specified concentration, then wipe off the detergent with a damp towel.
- Do not expose parts to direct sunlight, heat, or flames to dry.
- Do not use water hotter than 50°C.
- Do not use a scrubbing brush, a hard sponge, or the like.
- Do not soak or rinse the horizontal vane.



## Air cleaning filter (V Blocking Filter)

### Back side of air filter

- Clean every 3 months:**
- Remove dirt by a vacuum cleaner.
- When dirt cannot be removed by vacuum cleaning:**
- Soak the filter and its frame in lukewarm water before rinsing it. (Diluted mild detergents can be used when dirt cannot be removed.)
  - After washing, dry it well in shade.
- Every year:**
- Replace it with a new air cleaning filter for best performance.
  - Parts Number **MAC-2470FT-E**



## Air filter (Air purifying filter)

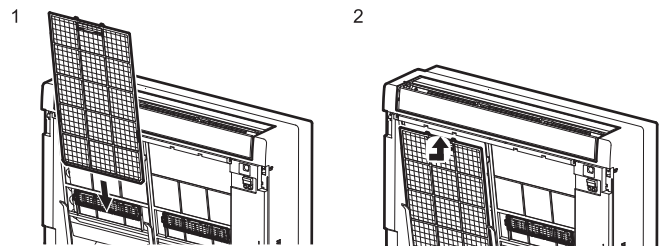
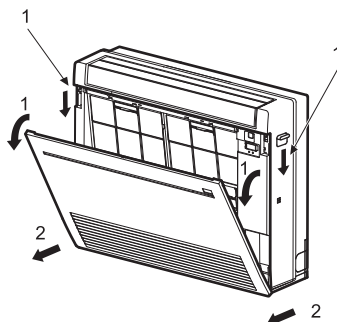
- **Clean every 2 weeks**
- Remove dirt by a vacuum cleaner, or rinse with water.
- After washing with water, dry it well in shade.

### Note:

- Silver-ionized air purifier filter can also be used.
- Parts Number **MAC-2370FT-E**

## Front panel

1. Push down the tab on the both sides of the unit to open the front panel.
2. Pull the front panel toward you to remove it.
3. Open the front panel completely and then remove it.
  - Wipe with a soft dry cloth or wash it with water.
  - Do not soak it in water for more than two hours.
  - Dry it well in shade before installing it.
4. Install the front panel by following the removal procedure in reverse.



### ! Important

- **Clean the filters regularly for best performance and to reduce power consumption.**
- **Dirty filters cause condensation in the air conditioner which will contribute to the growth of fungi such as mold. It is therefore recommended to clean air filters every 2 weeks.**

This information is based on **REGULATION (EU) No 528/2012**

MODEL NAME	Treated Article (Parts name)	Active Substances (CAS No.)	Property	Instruction for Use (Safe handling information)
MFZ-KW25/35/50/60VG	FILTER	Silver sodium hydrogen zirconium phosphate (265647-11-8)	Antibacterial Antimold	• Use this product in line with the instruction manual indications and for the intended purpose only. • Do not put into mouth. Keep away from children.
		Dimethyloctadecyl[3-(trimethoxysilyl)propyl]ammonium chloride (27668-52-6)	Antivirus Antibacterial Antimold	• Use this product in line with the instruction manual indications and for the intended purpose only. • Do not put into mouth. Keep away from children.
MAC-2470FT-E	FILTER	Dimethyloctadecyl[3-(trimethoxysilyl)propyl]ammonium chloride (27668-52-6)	Antivirus Antibacterial Antimold	• Use this product in line with the instruction manual indications and for the intended purpose only. • Do not put into mouth. Keep away from children.
MAC-2370FT-E	FILTER	Silver zinc zeolite (130328-20-0)	Antibacterial	• Use this product in line with the instruction manual indications and for the intended purpose only. • Do not put into mouth. Keep away from children.

# WHEN YOU THINK THAT TROUBLE HAS OCCURRED

Even if these items are checked, when the unit does not recover from the trouble, stop using the air conditioner and consult your dealer.

Symptom	Explanation & Check points
<b>Indoor Unit</b>	
The unit cannot be operated.	<ul style="list-style-type: none"> <li>Is the breaker turned on?</li> <li>Is the power supply plug connected?</li> <li>Is the ON timer set?</li> </ul>
The unit cannot be operated for about 3 minutes when restarted.	<ul style="list-style-type: none"> <li>This protects the unit according to instructions from the microprocessor. Please wait.</li> </ul>
Mist is discharged from the air outlet of the indoor unit.	<ul style="list-style-type: none"> <li>The cool air from the unit rapidly cools moisture in the air inside the room, and it turns into mist.</li> </ul>
The swing operation of the HORIZONTAL VANE is suspended for a while, then restarted.	<ul style="list-style-type: none"> <li>This is for the swing operation of the HORIZONTAL VANE to be performed normally.</li> </ul>
The air flow direction changes during operation. The direction of the horizontal vane/multi-flow vane cannot be adjusted with the remote controller.	<ul style="list-style-type: none"> <li>In the heating operation, if the air flow temperature is too low or when defrosting is being done, the horizontal vane is automatically set to vertical position. The multi-flow vane is set to the closed position.</li> <li>When the air conditioner is operated in COOL or DRY mode, if the operation continues with air blowing horizontally for 1 hour, the direction of the air flow is automatically set to position (1) to prevent condensed water from dropping. The multi-flow vane is set to the closed position.</li> <li>The horizontal vane and the multi-flow vane automatically moves in certain intervals to determine its position, and then it returns to the set position.</li> </ul>
The operation is stopped for about 10 minutes in the heating operation.	<ul style="list-style-type: none"> <li>Defrosting of the outdoor unit is being done. Since this is completed in max.10 minutes, please wait. (When the outside temperature is too low and humidity is too high, frost is formed.)</li> </ul>
The unit starts operation by itself when the main power is turned on, though it isn't operated with the remote controller.	<ul style="list-style-type: none"> <li>These models are equipped with an auto restart function. When the main power is turned off without stopping the unit with the remote controller and is turned on again, the unit starts operation automatically in the same mode as the one set with the remote controller just before the shutoff of the main power. Refer to "Auto restart function".</li> </ul>
The multi-flow vane opens and closes automatically.	<ul style="list-style-type: none"> <li>The multi-flow vane is automatically controlled by a microcomputer according to the air flow temperature and operation time of the air conditioner.</li> </ul>
The indoor unit which is not operating becomes warm and a sound, similar to water flowing, is heard from the unit.	<ul style="list-style-type: none"> <li>A small amount of refrigerant continues to flow into the indoor unit even though it is not operating.</li> </ul>
The indoor unit discolors over time.	<ul style="list-style-type: none"> <li>Although plastic turns yellow due to the influence of some factors such as ultraviolet light and temperature, this has no effect on the product functions.</li> </ul>
<b>Outdoor Unit</b>	
The fan of the outdoor unit does not rotate even though the compressor is running. Even if the fan starts to rotate, it stops soon.	<ul style="list-style-type: none"> <li>When the outside temperature is low during cooling operation, the fan operates intermittently to maintain sufficient cooling capacity.</li> </ul>
Water leaks from the outdoor unit.	<ul style="list-style-type: none"> <li>During COOL and DRY operations, pipe or pipe connecting sections are cooled and this causes water to condense.</li> <li>In the heating operation, water condensed on the heat exchanger drips down.</li> <li>In the heating operation, the defrosting operation makes ice forming on the outdoor unit melt and drip down.</li> </ul>
White smoke is discharged from the outdoor unit.	<ul style="list-style-type: none"> <li>In the heating operation, vapor generated by the defrosting operation looks like white smoke.</li> </ul>
<b>Remote controller</b>	
The display on the remote controller does not appear or it is dim. The indoor unit does not respond to the remote control signal.	<ul style="list-style-type: none"> <li>Are the batteries exhausted?</li> <li>Is the polarity (+, -) of the batteries correct?</li> <li>Are any buttons on the remote controller of other electric appliances being pressed?</li> </ul>

Symptom	Explanation & Check points
<b>Does not cool or heat</b>	
The room cannot be cooled or heated sufficiently.	<ul style="list-style-type: none"> <li>Is the temperature setting appropriate?</li> <li>Is the fan setting appropriate? Please change fan speed to High or Super High.</li> <li>Is the air outlet selection is set to 1 FLOW? Set it to 2 FLOW.</li> <li>Is the filter clean?</li> <li>Is the fan or heat exchanger of the indoor unit clean?</li> <li>Are there any obstacles blocking the air inlet or outlet of the indoor or outdoor unit?</li> <li>Is a window or door open?</li> <li>It may take a certain time to reach the setting temperature or may not reach that depending on the size of the room, the ambient temperature, and the like.</li> </ul>
The room cannot be cooled sufficiently.	<ul style="list-style-type: none"> <li>When a ventilation fan or a gas cooker is used in a room, the cooling load increases, resulting in an insufficient cooling effect.</li> <li>When the outside temperature is high, the cooling effect may not be sufficient.</li> </ul>
The room cannot be heated sufficiently.	<ul style="list-style-type: none"> <li>When the outside temperature is low, the heating effect may not be sufficient.</li> </ul>
Air does not blow out soon in the heating operation.	<ul style="list-style-type: none"> <li>Please wait as the unit is preparing to blow out warm air.</li> </ul>
<b>Airflow</b>	
The air from the indoor unit smells strange.	<ul style="list-style-type: none"> <li>Is the filter clean?</li> <li>Is the fan or heat exchanger of the indoor unit clean?</li> <li>The unit may suck in an odor adhering to the wall, carpet, furniture, cloth, etc. and blow it out with the air.</li> </ul>
<b>Sound</b>	
Cracking sound is heard.	<ul style="list-style-type: none"> <li>This sound is generated by the expansion/contraction of the panel, etc. due to change in temperature.</li> </ul>
The sound as bubbling is heard.	<ul style="list-style-type: none"> <li>This sound is heard when the outside air is absorbed from the drain hose by turning on the range hood or the ventilation fan, making water flowing in the drain hose to spout out. This sound is also heard when the outside air blows into the drain hose in case the outside wind is strong.</li> </ul>
Mechanical sound is heard from the indoor unit.	<ul style="list-style-type: none"> <li>This is the switching sound in turning on/off the fan or the compressor.</li> </ul>
The sound of water flowing is heard.	<ul style="list-style-type: none"> <li>This is the sound of refrigerant or condensed water flowing in the unit.</li> </ul>
Hissing sound is sometimes heard.	<ul style="list-style-type: none"> <li>This is the sound when the flow of refrigerant inside the unit is switched.</li> </ul>
The sound of motor and swirling sound is heard from the indoor unit.	<ul style="list-style-type: none"> <li>This is the sound of water condensed during COOL/DRY operation being drained from the indoor unit.</li> <li>Sound of water draining may also be heard from indoor units which are not operating. (The sound will stop automatically. Please wait.)</li> </ul>
<b>Timer</b>	
Weekly timer does not operate according to settings.	<ul style="list-style-type: none"> <li>Is the ON/OFF timer set?</li> <li>Transmit the setting information of the weekly timer to the indoor unit again. When the information is successfully received, a long beep will sound from the indoor unit. If information fails to be received, 3 short beeps will be heard. Ensure information is successfully received.</li> <li>When a power failure occurs and the main power turns off, the indoor unit built-in clock will be incorrect. As a result, the weekly timer may not work normally. Be sure to place the remote controller where the signal can be received by the indoor unit.</li> </ul>
The unit starts/stops the operation by itself.	<ul style="list-style-type: none"> <li>Is the weekly timer set?</li> </ul>

EN



Manual Download



# WHEN YOU THINK THAT TROUBLE HAS OCCURRED

In the following cases, stop using the air conditioner and consult your dealer.

- When water leaks or drips from the indoor unit.
- When the left operation indicator lamp blinks.
- When the breaker trips frequently.
- The remote control signal is not received in a room where an electronic ON/OFF type fluorescent lamp (inverter-type fluorescent lamp, etc.) is used.
- Operation of the air conditioner interferes with radio or TV reception. An amplifier may be required for the affected device.
- When an abnormal sound is heard.
- When any refrigerant leakage is found.

## SPECIFICATIONS

Model	Indoor		MFZ-KW25VG-E1		MFZ-KW35VG-E1		MFZ-KW50VG-E1		MFZ-KW60VG-E1		
	Outdoor		MUFZ-KW25VGHZ-E1		MUFZ-KW35VGHZ-E1		MUFZ-KW50VGHZ-E1		MUFZ-KW60VGHZ-E1		
Function			Cooling	Heating	Cooling	Heating	Cooling	Heating	Cooling	Heating	
Power supply	~N, 230 V, 50 Hz										
Capacity		kW	2.5	3.4	3.5	4.3	5.0	6.0	6.1	6.5	
Input		kW	0.57	0.83	0.90	1.21	1.36	1.60	1.73	1.88	
Weight	Indoor	kg	15								
	Outdoor	kg	35				54				
Refrigerant filling capacity (R32)		kg	1.0				1.3				
IP code	Indoor		IP20								
	Outdoor		IP24								
Permissible excessive operating pressure	LP ps	MPa	2.77								
	HP ps	MPa	4.17								
Noise level (SPL)	Indoor (Super High/High/Med./Low/Silent)	dB(A)	39/35/30/25/20	41/35/30/25/18	39/35/30/25/20	41/35/30/25/18	44/39/35/31/27	50/45/40/35/29	53/46/39/35/27	51/47/41/35/29	
	Outdoor	dB(A)	47	46	47	47	50	54	52	56	

### Guaranteed operating range

		Indoor	Outdoor
Cooling	Upper limit	32°C DB 23°C WB	*Note 2
	Lower limit	21°C DB 15°C WB	
Heating	Upper limit	27°C DB —	
	Lower limit	20°C DB —	

DB: Dry Bulb  
WB: Wet Bulb

### Note:

1. Rating condition  
Cooling — Indoor: 27°C DB, 19°C WB  
Outdoor: 35°C DB  
Heating — Indoor: 20°C DB  
Outdoor: 7°C DB, 6°C WB
2. As for specifications, please confirm your dealer and/or refer to the catalogue.



# SÄKERHETSFORESKRIFTER

## Förklaring till de symboler som visas på inomhus- och/eller utomhusenheten

	<b>VARNING</b> (Brandrisk)	Den här enheten använder ett brandfarligt köldmedium. Om köldmediet läcker ut och kommer i kontakt med eld eller uppvärmningskomponenterna kommer det att bildas en farlig gas och brandrisk föreligger.
	Läs BRUKSANVISNINGEN noggrant innan användning.	
	Servicepersonal måste läsa BRUKSANVISNINGEN och INSTALLATIONSMANUALEN noggrant innan användning.	
	Mer information finns i BRUKSANVISNINGEN, INSTALLATIONSMANUALEN och liknande.	

- Eftersom denna produkt innehåller rörliga delar och delar som kan förorsaka elektriska stötar, bör du läsa "Säkerhetsföreskrifter" innan du tar produkten i bruk.
- Eftersom de punkter med varningar som behandlas här är viktiga för säkerheten, bör du se till att du följer dem till punkt och pricka.
- När du har läst igenom denna handbok, förvara den lättåtkomlig tillsammans med installationshandboken så att du lätt har tillgång till dem som referens.

### Varningsmärken och deras betydelse

- VARNING:** Felaktig hantering kan mycket lätt förorsaka allvarig fara såsom dödsfall, allvarlig kroppsskada etc.
- FÖRSIKTIGHET:** Felaktig hantering kan, beroende på omständigheterna, förorsaka allvarlig fara.

### Symbolerna som används i denna handbok och deras betydelse




- : Gör ej.
- : Följ instruktionerna.
- : Stick inte in fingrar, pinnar etc..
- : Stå inte på inomhus/utomhusenheterna och placera ingenting på dem.
- : Fara för elektrisk stöt. Var försiktig.
- : Se till att du drar ut nätsladden ur vägguttaget.
- : Var noga med att stänga av strömmen.
- : Brandrisk.




SV

<b>VARNING</b>	
	<b>Anslut inte elkabeln till en skarvpunkt, använd en förlängningssladd eller anslut flera enheter till ett vägguttag.</b> <ul style="list-style-type: none"> <li>• Detta kan orsaka överhettning, brand eller elektriska stötar.</li> </ul> <b>Se till att elkontakten inte är smutsig och sätt in den ordentligt i uttaget.</b> <ul style="list-style-type: none"> <li>• En smutsig kontakt kan orsaka brand eller elektriska stötar.</li> </ul> <b>Bunta inte ihop, dra, skada eller modifiera elkabeln och utsätt den inte för värme eller tunga föremål.</b> <ul style="list-style-type: none"> <li>• Detta kan orsaka brand eller elektriska stötar.</li> </ul> <b>Slå inte FRÅN/TILL strömbrytaren och dra inte ut/sätt inte i nätsladden ur/i vägguttaget medan aggregatet är i drift.</b> <ul style="list-style-type: none"> <li>• Detta kan ge upphov till gnistor som kan orsaka brand.</li> <li>• När inomhusenheten har stängts AV med fjärrkontrollen, se till att slå FRÅN strömbrytaren eller dra ur elkontakten.</li> </ul> <b>Utsätt inte kroppen för kallt, direkt luftdrag under lång tid.</b> <ul style="list-style-type: none"> <li>• Detta kan vara skadligt för hälsan.</li> </ul> <b>Enheten får inte installeras, flyttas, tas isär, ändras eller repareras av användaren.</b> <ul style="list-style-type: none"> <li>• En felaktigt hanterad luftkonditionering kan orsaka brand, elektriska stötar, skador, vattenläckor osv. Kontakta återförsäljaren.</li> <li>• Om nätsladden är skadad, måste den för undvikande av fara bytas ut av tillverkaren eller av auktoriserad servicepersonal.</li> </ul> <b>Vid installation, flytt eller service av enheten, säkerställ att inget annat ämne än det specificerade köldmediet (R32/R410A) kommer in i kylledningarna.</b> <ul style="list-style-type: none"> <li>• Närvaron av en främmande substans som t.ex. luft kan orsaka en onormal tryckökning och leda till explosion eller skador.</li> <li>• Användning av något annat köldmedium är det som anges för systemet kan ge upphov till mekanisk skada, fel i systemet eller att systemet slutar fungera. I värsta fall kan de leda till allvariga problem med att säkerställa produktens säkerhet.</li> </ul> <b>Enheten får inte användas av personer (inklusive barn) med fysiska, sensoriska eller mentala funktionshinder eller personer som saknar vana och kunskaper om de inte övervakas av en ansvarig eller instrueras hur enheten används.</b> <b>Barn bör hållas under uppsyn så att de inte leker med enheten.</b>
	<b>Slå inte FRÅN strömbrytaren utom vid röklukt eller vid utförande av underhåll eller inspektion.</b> <ul style="list-style-type: none"> <li>• Köldmedieläckage är inte detekterbart och detta kan orsaka brand.</li> </ul> <b>Installera inte enheten på en plats som kan fyllas med rök, gas eller kemiska ämnen.</b> <ul style="list-style-type: none"> <li>• Använd ingen gasutrustning med propan, butan, metan, beläggningämnen eller sprayer som insektsmedel eller i närheten av inomhusenheten.</li> <li>• Köldmediesensorn reagerar på detta och indikerar ett fel. Detta kan leda till att enheten inte körs.</li> </ul>

	<b>(Åtgärder vid köldmedieläckage)</b> <b>I händelse av köldmedieläckage ska lågor, t.ex. från en kamin, släckas och rummet ventileras ordentligt genom att ett fönster öppnas.</b> <ul style="list-style-type: none"> <li>• Kontakta sedan din återförsäljare.</li> <li>• Inomhusenheten sprider köldmediet med FAN-läget för att undvika brand. Slå inte AV strömbrytaren under detta.</li> </ul>
	<b>Stick inte in fingrar, pinnar eller andra föremål i luftintag/luftutblås.</b> <ul style="list-style-type: none"> <li>• Det kan orsaka skador eftersom fläkten roterar inuti med höga hastigheter under drift.</li> </ul>
	<b>Vid onormala omständigheter (exempelvis om det luktar rök), stoppa luftkonditioneringen och dra ut kontakten eller slå FRÅN strömbrytaren.</b> <ul style="list-style-type: none"> <li>• Fortsatt drift vid onormala omständigheter kan ge upphov till funktionsstörning, brand eller elektriska stötar. Kontakta din återförsäljare om detta inträffar.</li> </ul>
	<b>Om luftkonditioneringen varken kylar eller värmer kan det bero på att köldmediet läcker. Om köldmedieläckage kan konstateras ska rummet ventileras väl och din återförsäljare kontaktas omedelbart. Slå inte FRÅN strömbrytaren. Om reparationen omfattar påfyllning av köldmedium, fråga serviceteknikern efter ytterligare information.</b> <ul style="list-style-type: none"> <li>• Det köldmedium som används i luftkonditioneringen är ofarligt. I normala fall läcker det inte ut. Men om köldmediet läcker ut och kommer i kontakt med eld eller uppvärmningskomponenter som t.ex. en fläktförvärmare, fotogenkamin eller spis kommer det att bildas en farlig gas och brandrisk föreligger.</li> </ul>
	<b>Försök aldrig tvätta inomhusenhetens insida. Kontakta återförsäljaren om enhetens insida behöver rengöras.</b> <ul style="list-style-type: none"> <li>• Olämpliga rengöringsmedel kan orsaka skador på plastmaterialen inuti enheten vilket kan leda till vattenläckor. Driftfel, rök eller brand uppstår om rengöringsmedel kommer i kontakt med de elektriska delarna eller motorn.</li> <li>• Utrustningen ska förvaras i ett rum utan antändningskällor (till exempel: öppen eld eller gasanordningar/elektriska värmeanordningar som är i kontinuerlig drift).</li> <li>• Var uppmärksam på att köldmediet kan vara luktfritt.</li> <li>• Försök inte accelerera avfrostningsförloppet eller rengöra utrustningen på något annat sätt än de som rekommenderas av tillverkaren.</li> <li>• Får inte punkteras eller brännas.</li> </ul>
	<b>Enheten bör installeras i rum där golvetrycket överstiger det som specificeras i installationsanvisningarna.</b> <ul style="list-style-type: none"> <li>• Se installationsanvisningarna.</li> </ul>
	<b>Apparaten får endast användas av experter och utbildade användare i butiker, inom lätt industri och lantbruk, eller för kommersiellt bruk av icke-specialister.</b>

# SÄKERHETSFÖRESKRIFTER

 <b>FÖRSIKTIGHET</b>	
	<p><b>Vidrör inte luftintaget eller inomhus/utomhusenhetens aluminiumflänsar.</b></p> <ul style="list-style-type: none"> <li>• Det kan orsaka personskador.</li> </ul>
	<p><b>Använd inte insektsmedel eller antändbara gaser på enheten.</b></p> <ul style="list-style-type: none"> <li>• Detta kan förorsaka brand eller leda till att enheten deformeras.</li> </ul>
	<p><b>Utsätt varken husdjur eller krukväxter för direkt luftdrag.</b></p> <ul style="list-style-type: none"> <li>• Detta kan skada både husdjur och växter.</li> </ul>
	<p><b>Placera ej andra elektriska apparater eller möbler under inomhus-/utomhusenheten.</b></p> <ul style="list-style-type: none"> <li>• Vatten kan droppa ner från enheten och kan orsaka fel eller skador.</li> </ul>
	<p><b>Låt aldrig enheten stå på ett stativ som är skadat.</b></p> <ul style="list-style-type: none"> <li>• Enheten kan falla och orsaka skada.</li> </ul>
	<p><b>Stå inte på en ostadig pall när enheten ska sättas igång eller rengöras.</b></p> <ul style="list-style-type: none"> <li>• Du kan skadas om du ramlar.</li> </ul>
	<p><b>Dra aldrig i nätsladden.</b></p> <ul style="list-style-type: none"> <li>• Det kan leda till att en del av ledaren går sönder vilket i sin tur kan resultera i överhettning eller brand.</li> </ul>
	<p><b>Försök aldrig att ladda eller ta isär ett batteri, och kasta det aldrig på elden.</b></p> <ul style="list-style-type: none"> <li>• Det kan leda till batteriläckage, brand eller explosion.</li> </ul>
	<p><b>Använd inte enheten i mer än 4 timmar när luftfuktigheten är hög (80% relativ luftfuktighet eller mer) och/eller när fönster eller dörrar är öppna.</b></p> <ul style="list-style-type: none"> <li>• Det kan göra att kondensvatten i luftkonditioneringen börjar droppa vilket kan blöta ned och förstöra möbler.</li> <li>• Vattenkondensering i luftkonditioneringen kan bidra till att svamp bildas, t.ex. mögelsvamp.</li> </ul>
	<p><b>Använd inte enheten för specialändamål som t.ex. förvaringsplats för mat, djur, växter, precisionsutrustning eller konstföremål.</b></p> <ul style="list-style-type: none"> <li>• Detta kan både orsaka kvalitetsförsämring och skada djur och växter.</li> </ul>
	<p><b>Utsätt inte förbränningsapparater för direkt luftflöde.</b></p> <ul style="list-style-type: none"> <li>• Det kan ge upphov till ofullständig förbränning.</li> </ul>
	<p><b>Stoppa aldrig batterier i munnen, de kan sväljas av misstag.</b></p> <ul style="list-style-type: none"> <li>• Om ett batteri sväljs kan det leda till kvävning och/eller förgiftning.</li> </ul>
	<p><b>Innan enheten rengörs, stäng AV den och dra ut elkontakten eller slå FRÅN strömbrytaren.</b></p> <ul style="list-style-type: none"> <li>• Det kan orsaka skador eftersom fläkten roterar inuti med höga hastigheter under drift.</li> </ul>
	<p><b>Byt fjärrkontrollens batterier mot nya av samma typ.</b></p> <ul style="list-style-type: none"> <li>• Om ett gammalt batteri används tillsammans med ett nytt kan det uppstå överhettning, läckage eller explosion.</li> </ul>
	<p><b>Om du får batterivätska på hud eller kläder ska det tvättas bort med rent vatten.</b></p> <ul style="list-style-type: none"> <li>• Om batterivätska kommer i kontakt med dina ögon, skölj ögonen noga med rent vatten och sök genast vård.</li> </ul>
	<p><b>Se till att lokalen är välventilerad när enheten används tillsammans med en förbränningsapparat.</b></p> <ul style="list-style-type: none"> <li>• Otillräcklig ventilation kan ge upphov till syrebrist.</li> </ul>





	<p><b>Slå FRÅN strömbrytaren när åskan går och det finns risk för blixtnedslag.</b></p> <ul style="list-style-type: none"> <li>• Om åskan slår ner kan enheten förstöras.</li> </ul>
	<p><b>När luftkonditioneringen har använts i flera säsonger ska, utöver normal rengöring, också inspektion och underhåll utföras.</b></p> <ul style="list-style-type: none"> <li>• Smuts eller damm i enheten kan orsaka en obehaglig lukt, bidra till att svamp bildas, t.ex. mögelsvamp, eller täppa igen avloppet. Detta kan leda till att vatten börjar läcka från inomhusenheten. Kontakta återförsäljaren för inspektion och underhåll eftersom det krävs specialkunskaper.</li> </ul>
	<p><b>Rör aldrig vid kontaktorna med våta händer.</b></p> <ul style="list-style-type: none"> <li>• Det kan orsaka elektriska stötar.</li> </ul>
	<p><b>Rengör inte luftkonditioneringen med vatten. Ställ inte heller ett föremål som innehåller vatten, som t.ex. en blomvas, ovanpå den.</b></p> <ul style="list-style-type: none"> <li>• Detta kan orsaka brand eller elektriska stötar.</li> </ul>
	<p><b>Trampa inte på eller ställ något föremål ovanpå utomhusenheten.</b></p> <ul style="list-style-type: none"> <li>• Det kan orsaka skador om du eller föremålet faller.</li> </ul>

## **VIKTIGT**

**Smutsiga filter orsakar kondensation i luftkonditioneringen som bidrar till att svamp bildas, t.ex. mögelsvamp. Luftfiltren bör därför rengöras varannan vecka.**

## För installation

### **VARNING**

	<p><b>Kontakta återförsäljaren för montering av luftkonditioneringen.</b></p> <ul style="list-style-type: none"> <li>• Den bör inte monteras av användaren eftersom monteringen kräver specialkunskaper. En felaktigt monterad luftkonditionering kan orsaka läckage, brand eller elektriska stötar.</li> </ul>
	<p><b>Använd avsedd strömförsörjning till luftkonditioneringen.</b></p> <ul style="list-style-type: none"> <li>• En icke avsedd strömförsörjning kan ge upphov till överhettning eller brand.</li> </ul>
	<p><b>Installera ej enheten på platser där brandfarlig gas kan läcka ut.</b></p> <ul style="list-style-type: none"> <li>• Om ett gasläckage uppstår och gas ansamlas kring enheten, kan detta ge upphov till en explosion.</li> </ul>
	<p><b>Jorda enheten korrekt.</b></p> <ul style="list-style-type: none"> <li>• Anslut inte jordledningen till gas- eller vattenledningar, åskledare eller telefonens jordledning. Felaktig jordning kan orsaka elektriska stötar.</li> </ul>
 <b>FÖRSIKTIGHET</b>	
	<p><b>Beroende på var luftkonditioneringen är placerad (exempelvis i områden med hög luftfuktighet) kan du behöva installera en jordfelsbrytare.</b></p> <ul style="list-style-type: none"> <li>• Om en jordfelsbrytare inte installeras, kan detta ge upphov till elektriska stötar.</li> </ul>
	<p><b>Se till att dräneringsvattnet rinner ut ordentligt.</b></p> <ul style="list-style-type: none"> <li>• Om tömningsvägen är felaktig kan vatten droppa ner från inomhus/utomhusenheten, och våta ner och förstöra möbler.</li> </ul>

#### Vid onormala förhållanden

Stoppa genast driften av luftkonditioneringen och kontakta din återförsäljare.

# KASSERING



När du vill göra dig av med denna produkt – kontakta återförsäljaren.

#### Obs:

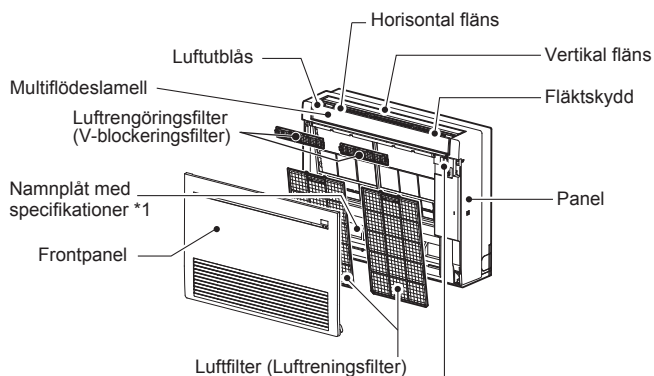
Denna symbolmärkning gäller bara i EU-länder. Denna symbol är i enlighet med direktiv 2012/19/EU artikel 14, Information till användarna, och bilaga IX, och/eller direktiv 2006/66/EG artikel 20, Information till slutanvändarna, och bilaga II.

Fig. 1

Denna produkt från MITSUBISHI ELECTRIC är designad och tillverkad av material och komponenter med hög kvalitet som kan återvinnas och/eller återanvändas. Denna symbol betyder att förbrukade elektriska och elektroniska produkter, batterier och ackumulatörer skall sorteras och hanteras separat från hushållsavfall. Om det finns en kemisk beteckning tryckt under symbolen (Fig. 1) betyder det att batteriet eller ackumulatören innehåller en tungmetall med en viss koncentration. Detta anges på följande sätt:  
 Hg: kvicksilver (0,0005%), Cd: kadmium (0,002%), Pb: bly (0,004%)  
 Inom den Europeiska Unionen finns det separata insamlingsystem för begagnade elektriska och elektroniska produkter, batterier och ackumulatörer. Var vänlig lämna denna produkt, batterier och ackumulatörer hos din lokala mottagningsstation för avfall och återvinning.  
 Var snäll och hjälp oss att bevara miljön vi lever i!

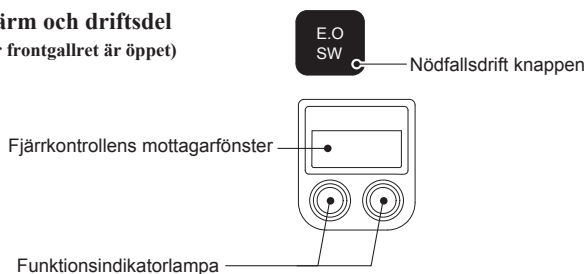
# DELARNAS NAMN

## Inomhusenhet



\*1 År och månad för tillverkningen anges på namnplåten med specifikationer.

### Skärm och driftsdel (när frontgallret är öppet)

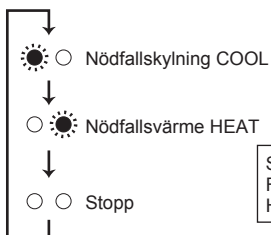


## När fjärrkontrollen inte kan användas...

Nödfallsdriften aktiveras när du trycker på nödriftsknappen (E.O SW) på inomhusenheten.

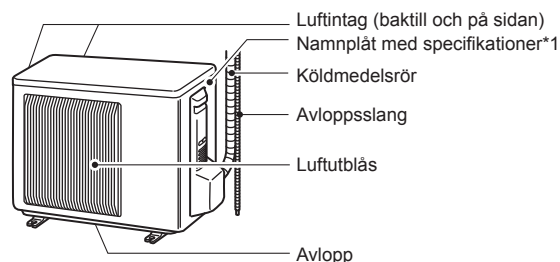
Varje gång E.O SW trycks in ändras driften på följande sätt:

### Funktionsindikeringslampa



Ställ in temperaturen på: 24°C  
Fläkthastighet: Medium  
Horisontell lamell: Auto

## Utomhusenhet



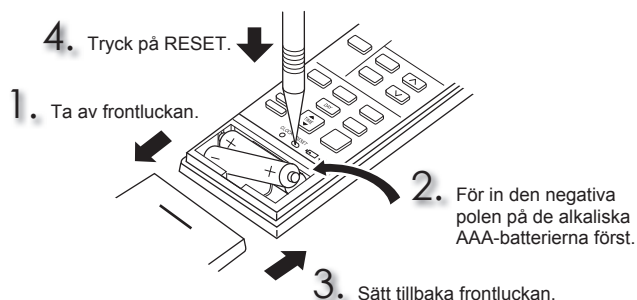
Utomhusenheternas utseende kan variera.

\*1 År och månad för tillverkningen anges på namnplåten med specifikationer.

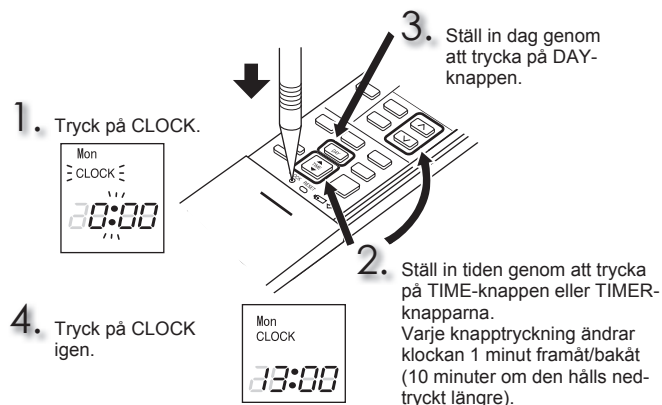
# FÖRBEREDELSE FÖRE ANVÄNDNING

**Före användning:** Sätt i väggkontakten och/eller vrid på huvudströmbrytaren.

## Montera fjärrkontrollens batterier

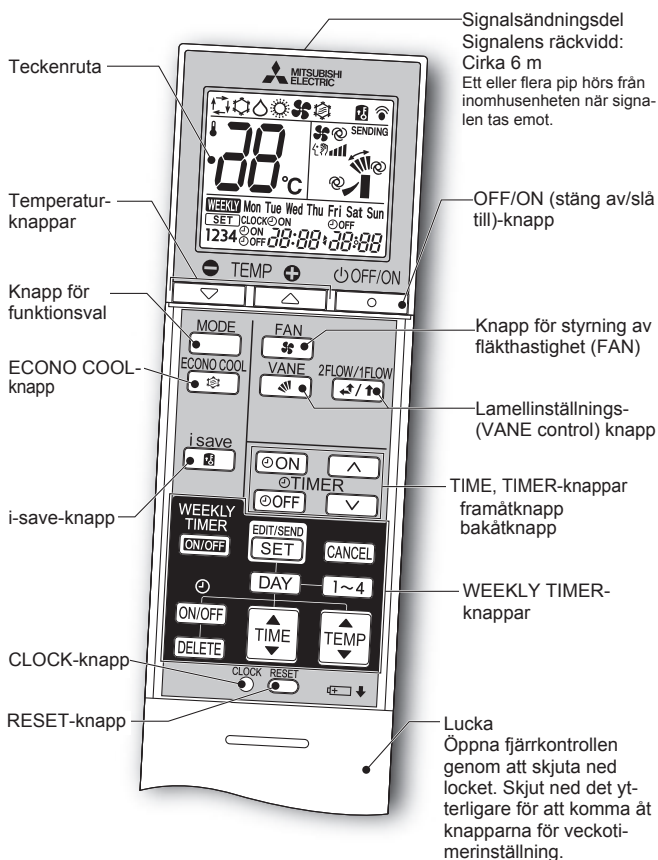


## Ställ in aktuellt klockslag



# FÖRBEREDELSE FÖRE ANVÄNDNING

## Fjärrkontroll



## TIME, TIMER-knappar

Ändra tiden framåt/bakåt

**ON** (ON-timer) : Enheten slås PÅ vid den inställda tidpunkten.

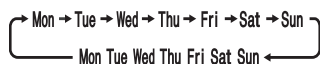
**OFF** (OFF-timer) : Enheten stängs AV vid den inställda tidpunkten.

Tryck på **▲** (framåt) och **▼** (bakåt) för att ställa in timerns tid.

## WEEKLY TIMER-knappar

Tryck på **EDIT/SEND SET** för att aktivera veckotimerns inställningsläge.

Tryck på **DAY** och **1~4** för att välja inställningsdag och nummer.



Tryck på **ON/OFF**, **TIME** och **TEMP** för att ställa in ON/OFF, tid och temperatur.

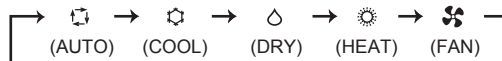
Tryck på **EDIT/SEND SET** för att avsluta och överföra inställningen för veckotimern.

Tryck på **WEEKLY TIMER ON/OFF** för att slå PÅ veckotimern. (**WEEKLY** tänds.)

Tryck på **WEEKLY TIMER ON/OFF** igen för att stänga AV veckotimern. (**WEEKLY** slöcknar.)

**OFF/ON**  
**OFF/ON** (stäng av/slå till)-knapp

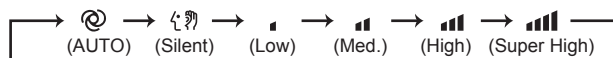
**MODE**  
Knapp för funktionsval



**TEMP**  
Temperaturknappar

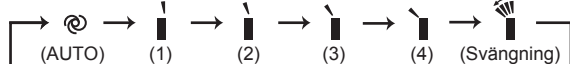


**FAN**  
Knapp för styrning av fläkthastighet (FAN)



**VANE**  
Lamellinställnings- (VANE control) knapp

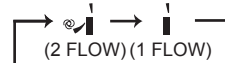
Tryck på **VANE** för att välja vertikal luftflödesriktning. Varje tryckning ändrar luftflödets riktning på följande sätt:



- Två korta pip hörs från inomhusenheten när den ställs på AUTO.
- Om den horisontala/multiflödeslamellen flyttas för hand kan det leda till problem.
- Den horisontala/multiflödeslamellen flyttas automatiskt vid vissa mellanrum och återgår sedan till det inställda läget.
- När luftutsläppet ändras mellan 1 FLOW och 2 FLOW kan de horisontala lamellerna flyttas och ändra lägen.

**2FLOW/1FLOW**  
**2FLOW/1FLOW** Lamellinställnings- (VANE control) knapp

Tryck på **2FLOW/1FLOW** för att välja luftutsläpp. Luften släpps ut från enhetens överdel och framsida när 2 FLOW är valt. Luft släpps bara ut från enhetens överdel när 1 FLOW är valt.



- Multiflödeslamellen ställs automatiskt in på lämpligt läge. Luft släpps bara ut från enhetens överdel i följande fall när 2 FLOW är valt:
- När läget COOL/DRY används: Rumstemperaturen är nära den inställda temperaturen. Luftkonditioneringen har använts i 0,5 till 1 timme.
  - I läget HEAT: Luftflödestemperaturen är låg. (Under avfrostning, vid start, etc.)

**ECONO COOL**  
**ECONO COOL**-knapp

Den aktuella temperaturen och luftströmmens riktning ändras automatiskt av mikroprocessorn.

**i save**  
**i save**-knapp

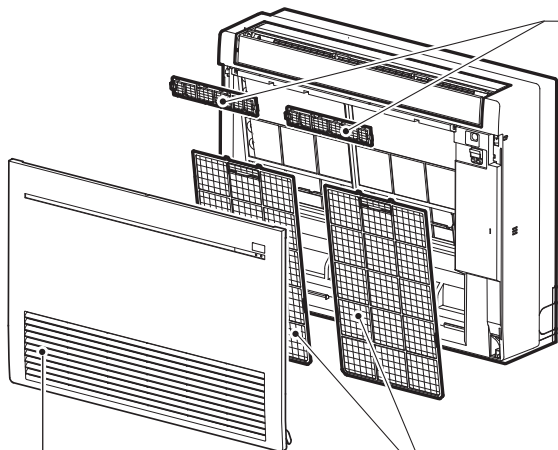
En enkel hämtningsfunktion gör att du kan hämta en föredragen (förinställd) inställning genom att trycka på **i save** knappen en gång. Du kan snabbt gå tillbaka till den föregående inställningen genom att trycka på knappen igen.

# RENGÖRING

## Instruktioner:

- Slå ifrån strömmen eller stäng av strömbrytaren före rengöring.
- Se till att inte röra vid metalldelarna med händerna.
- Använd inte bensen, thinner, polermedel eller insektsmedel.
- Om smuts syns kan du torka bort den med neutralt diskmedel utspätt med ljummet vatten i angiven koncentration. Torka sedan bort rengöringsmedlet med en fuktad trasa.

- Utsätt inte delarna för direkt solljus, värme eller lågor när de ska torka.
- Använd inte vatten som är varmare än 50°C.
- Använd ej skurborste, hård tvättsvamp eller liknande.
- Den horisontella lamellen får ej blötläggas eller sköljas.



## Luftfilter (Luftreningsfilter)

- **Rengör varannan vecka**
- Ta bort smuts genom att dammsuga eller skölja med vatten.
- Låt torka ordentligt i skugga när det har tvättats med vatten.

## Luftrengöringsfilter (V-blockeringsfilter)

### Luftfiltrets baksida

#### Rengör var 3:e månad:

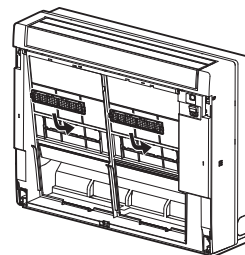
- Avlägsna smuts med en dammsugare.

#### När smuts inte kan tas bort med dammsugare:

- Blötlägg filtret och dess ram i ljummet vatten innan de sköljs. (Utspädda milda rengöringsmedel kan användas om det är svårt att få bort smuts.)
- Låt torka ordentligt i skugga efter tvätt.

#### Varje år:

- Byt till ett nytt luftrengöringsfilter för bästa prestanda.
- Artikelnr. **MAC-2470FT-E**

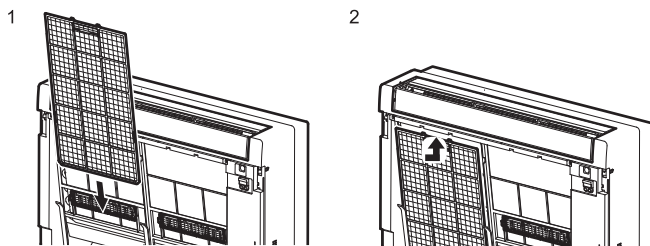
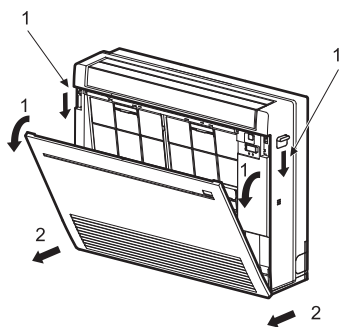


## Obs:

- Ett silverjoniserat luftreningsfilter kan också användas.
- Artikelnr. **MAC-2370FT-E**

## Frontpanel

1. Tryck på tungan på båda sidorna av enheten för att öppna frontpanelen.
2. Ta bort frontpanelen genom att dra den mot dig.
3. Öppna frontpanelen helt och ta bort den.
  - Torka frontgallret med en mjuk och torr trasa eller tvätta det i vatten.
  - Lägg den inte i blöt i vatten i mer än två timmar.
  - Torka den ordentligt i skuggan innan den monteras.
4. Montera frontpanelen genom att följa demonteringsanvisningarna i omvänd ordning.



## Viktigt

- Rengör filtren regelbundet för bästa prestanda och för att reducera strömförbrukningen.
- Smutsiga filter orsakar kondensation i luftkonditioneringen som bidrar till att svamp bildas, t.ex. mögelsvamp. Luftfiltren bör därför rengöras varannan vecka.

Denna information är baserad på EU-regel Nr 528/2012

MODELLBETECKNING	Behandlad artikel (Namn på delarna)	Aktiva substanser (CAS Nr.)	Egenskap	Bruksanvisning (Säkerhetsinstruktioner)
MFZ-KW25/35/50/60VG	FILTER	Silvernatriumväte-zirkoniumfosfat (265647-11-8)	Antibakteriell Antimögelmedel	<ul style="list-style-type: none"> <li>• Använd denna produkt i enlighet med bruksanvisningen och endast för avsedd användning.</li> <li>• Stoppa inte produkten i munnen. Håll barn borta från produkten.</li> </ul>
		Dimetyloktadecyl[3-(trimetoxysilyl)propyl]ammoniumklorid (27668-52-6)	Virussydd Antibakteriell Antimögelmedel	<ul style="list-style-type: none"> <li>• Använd denna produkt i enlighet med bruksanvisningen och endast för avsedd användning.</li> <li>• Stoppa inte produkten i munnen. Håll barn borta från produkten.</li> </ul>
MAC-2470FT-E	FILTER	Dimetyloktadecyl[3-(trimetoxysilyl)propyl]ammoniumklorid (27668-52-6)	Virussydd Antibakteriell Antimögelmedel	<ul style="list-style-type: none"> <li>• Använd denna produkt i enlighet med bruksanvisningen och endast för avsedd användning.</li> <li>• Stoppa inte produkten i munnen. Håll barn borta från produkten.</li> </ul>
MAC-2370FT-E	FILTER	Silverzinkzeolit (130328-20-0)	Antibakteriell	<ul style="list-style-type: none"> <li>• Använd denna produkt i enlighet med bruksanvisningen och endast för avsedd användning.</li> <li>• Stoppa inte produkten i munnen. Håll barn borta från produkten.</li> </ul>

# NÄR DU TROR ATT DET HAR UPPSTÅTT PROBLEM

Om dessa punkter har kontrollerats och problemet trots detta kvarstår – använd inte enheten och kontakta återförsäljaren.

Symptom	Förklaring och kontrollpunkter
<b>Inomhusenhet</b>	
Enheten går inte igång.	<ul style="list-style-type: none"> <li>• Är huvudströmbrytaren påslagen?</li> <li>• Är nätsladdens kontakt ansluten?</li> <li>• Har ON-timern ställts in?</li> </ul>
Enheten kan inte användas under cirka 3 minuter efter en återstart.	<ul style="list-style-type: none"> <li>• Detta skyddar enheten enligt instruktioner från mikroprocessorn. Vänta.</li> </ul>
Imma strömmar ut genom inomhusenhetens utsläpp.	<ul style="list-style-type: none"> <li>• Den kalla luften från enheten kylar snabbt ner fukten i rumsluften så att det bildas imma.</li> </ul>
Rörelsen av den HORIZONTELLA LAMELLEN upphör under en kort stund för att sedan starta igen.	<ul style="list-style-type: none"> <li>• Detta är normalt för den HORIZONTELLA LAMELLENS svängningsrörelse.</li> </ul>
Luftflödets riktning ändras under drift. Den horisontala/multiflödeslamellens riktning kan inte justeras med fjärrkontrollen.	<ul style="list-style-type: none"> <li>• Om luftströmmens temperatur är för låg vid uppvärmning eller om avfrostning utförs, ställs den horisontellt lamellen automatiskt i vertikala läge. Multiflödeslamellen är inställd på stängt läge.</li> <li>• När luftkonditioneringen drivs i läget COOL eller DRY och luften släpps ut horisontalt i 1 timme, ändras luftflödets riktning automatiskt till läge (1) för att förhindra att kondensvatten droppar. Multiflödeslamellen är inställd på stängt läge.</li> <li>• Den horisontala lamellen och multiflödeslamellen flyttas automatiskt vid vissa mellanrum och återgår sedan till det inställda läget.</li> </ul>
Driften stoppas under cirka 10 minuter under uppvärmningen.	<ul style="list-style-type: none"> <li>• Avfrostning av utomhusenheten pågår. Detta tar högst 10 minuter, vänta så länge. (När yttertemperaturen är för låg och luftfuktigheten är för hög, kan frost bildas.)</li> </ul>
Enheten startar av sig själv när huvudströmbrytaren slås på även om den inte styrs via fjärrkontrollen.	<ul style="list-style-type: none"> <li>• Dessa modeller är försedda med en automatisk omstartningsfunktion. När huvudströmbrytaren stängs av utan att enheten först har stängts av med hjälp av fjärrkontrollen, och därefter sätts på igen, kommer enheten automatiskt att starta i samma läge som den var inställd i med fjärrkontrollen innan luftkonditioneringen stängdes av med huvudströmbrytaren. Se "Automatisk omstartningsfunktion".</li> </ul>
Multiflödeslamellen öppnas och stängs automatiskt.	<ul style="list-style-type: none"> <li>• Multiflödeslamellen styrs automatiskt av en mikrodator beroende på luftflödets temperatur och luftkonditioneringens drifttid.</li> </ul>
Inomhusenheten som inte är i drift blir varm, och ett ljud som påminner om rinnande vatten hörs från enheten.	<ul style="list-style-type: none"> <li>• En mindre mängd köldmedium fortsätter att strömma in i inomhusenheten trots att denna inte är i drift.</li> </ul>
Inomhusenheten missfärgas över tiden.	<ul style="list-style-type: none"> <li>• Även om plasten gulnar på grund av påverkan av vissa faktorer som ultraviolett ljus och temperatur, så har detta ingen effekt på produktens funktioner.</li> </ul>
<b>Utomhusenhet</b>	
Fläkten i utomhusenheten roterar ej även om kompressorn är igång. Även om fläkten roterar, så stannar den efter en kort stund.	<ul style="list-style-type: none"> <li>• Om utomhustemperaturen är låg under kylning, kan fläkten vara i drift emellanåt för att upprätthålla tillräcklig kylkapacitet.</li> </ul>
Vatten läcker från utomhusenheten.	<ul style="list-style-type: none"> <li>• När luftkonditioneringen drivs i läget COOL (KYLA) eller DRY (TORKA), kyls rörledningen och dess anslutningar ned vilket gör att vattnet kondenserar.</li> <li>• I läget uppvärmning, droppar det vatten som kondenserat på värmeväxlaren.</li> <li>• I läget uppvärmning, gör avfrostning att vatten som frusit till is på utomhusanläggningen smälter och börjar droppa.</li> </ul>
Vit rök strömmar ut från utomhusenheten.	<ul style="list-style-type: none"> <li>• I läget uppvärmning, ser den ånga som bildas vid avfrostning ut som vit rök.</li> </ul>
<b>Fjärrkontroll</b>	
Fjärrkontrollens display är släckt eller diffus. Inomhusenheten reagerar inte på signal från fjärrkontrollen.	<ul style="list-style-type: none"> <li>• Är batterierna slut?</li> <li>• Är batteriernas polaritet (+, -) korrekt?</li> <li>• Är någon av knapparna på fjärrkontrollen eller på någon annan elektrisk utrustning intryckt?</li> </ul>

Symptom	Förklaring och kontrollpunkter
<b>Kyler eller värmer inte</b>	
Rummet kan inte kylas ner/värmas upp tillräckligt mycket.	<ul style="list-style-type: none"> <li>• Är temperaturinställningen korrekt?</li> <li>• Är fläktinställningen lämplig? Ändra fläkthastigheten till High eller Super High.</li> <li>• Är luftutsläppet inställt på 1 FLOW? Ställ in det på 2 FLOW.</li> <li>• Är filtret rent?</li> <li>• Är fläkten och värmeväxlaren i inomhusenheten rena?</li> <li>• Finns det något som blockerar luftintaget eller luftutblåset på inom- eller utomhusenheten?</li> <li>• Är några dörrar eller fönster öppna?</li> <li>• Det kan ta en viss tid att nå den inställda temperaturen eller så kan den inte uppnås beroende på rummets storlek, omgivningstemperaturen och liknande orsaker.</li> </ul>
Rummet kan inte kylas ner tillräckligt mycket.	<ul style="list-style-type: none"> <li>• Om en ventilationsfläkt eller gasspis används i rummet, ökas kylbelastningen, vilket resulterar i en otillräcklig kyleffekt.</li> <li>• Om utomhustemperaturen är hög, kanske kyleffekten inte är tillräcklig.</li> </ul>
Rummet kan inte värmas upp tillräckligt mycket.	<ul style="list-style-type: none"> <li>• Om utomhustemperaturen är låg, kanske värmeeffekten inte är tillräcklig.</li> </ul>
Luft blåser inte tillräckligt snabbt vid uppvärmning.	<ul style="list-style-type: none"> <li>• Vänta medan enheten förbereder utblåsning av varmluft.</li> </ul>
<b>Luftflöde</b>	
Luften från inomhusenheten luktar konstigt.	<ul style="list-style-type: none"> <li>• Är filtret rent?</li> <li>• Är fläkten och värmeväxlaren i inomhusenheten rena?</li> <li>• Enheten kan suga in odörer som sitter i väggar, mattor, möbler, tyg osv., och blåsa ut denna dåliga lukt med utblåsluften.</li> </ul>
<b>Ljud</b>	
Knakande ljud hörs.	<ul style="list-style-type: none"> <li>• Ljudet uppkommer vid expansion/sammanslagning av panelen m.m., på grund av temperaturförändringar.</li> </ul>
Ett porlande ljud hörs.	<ul style="list-style-type: none"> <li>• Detta ljud kan höras när utomhusluft absorberas från dräneringsslangen vilket gör att vatten i dräneringsslangen sprutar ut vid påslag av huven eller ventilationsfläkten. Detta ljud kan även höras om utomhusluft blåser in i dräneringsslangen vid kraftiga vindar.</li> </ul>
Ett mekaniskt ljud hörs från inomhusenheten.	<ul style="list-style-type: none"> <li>• Det är det ljud som uppstår vid omkoppling (påläggning/avstängning) av fläkten eller kompressorn.</li> </ul>
Ljudet av rinnande vatten hörs.	<ul style="list-style-type: none"> <li>• Detta är ljudet av köldmedium eller kondensvatten som strömmar i enheten.</li> </ul>
Ett väsande ljud hörs ibland.	<ul style="list-style-type: none"> <li>• Detta ljud uppkommer när det köldmedium som strömmar i enheten byter riktning.</li> </ul>
Ljudet från motorn och ett virvlande ljud hörs från inomhusenheten.	<ul style="list-style-type: none"> <li>• Detta är ljudet av vatten som kondenserar under COOL/DRY-driften när det dräneras från inomhusenheten.</li> <li>• Ljud av rinnande vatten kan även höras från inomhusenheten som inte är i drift. (Ljudet upphör automatiskt. Vänta.)</li> </ul>
<b>Timer</b>	
Veckotimern fungerar inte enligt inställningarna.	<ul style="list-style-type: none"> <li>• Är ON/OFF-timern inställd?</li> <li>• Överför inställningsinformationen för veckotimern till inomhusenheten igen. En lång ljudsignal hörs från inomhusenheten när informationen har tagits emot. 3 korta ljudsignaler hörs om information inte kan tas emot. Kontrollera att informationen har tagits emot.</li> <li>• Inomhusenhetens inbyggda klocka anger fel tid om ett strömavbrott inträffar och strömmen bryts. Det kan göra att veckotimern inte fungerar som den ska.</li> <li>• Se till att fjärrkontrollen placeras på en plats där signalen kan tas emot av inomhusenheten.</li> </ul>
Enheten startas/stoppas av sig själv.	<ul style="list-style-type: none"> <li>• Är veckotimern inställd?</li> </ul>

SV



Manual Download



SV-6

# NÄR DU TROR ATT DET HAR UPPSTÅTT PROBLEM

## Använd ej luftkonditioneringen, och kontakta din återförsäljare i följande fall:

- När vatten läcker eller droppar från inomhusenheten.
- När vänster funktionsindikeringslampa blinkar.
- Om säkringen ofta löser ut.
- Signalen från fjärrkontrollen tas inte emot i ett rum där det finns ett elektroniskt lysrör av ON/OFF-typ (fluorescerande lampa/lysrör av invertertyp osv.).
- Luftkonditioneringen kan vid drift störa radio- och TV-mottagningen. En signalförstärkare kan komma att behövas för den utrustning som störs.
- När onormala ljud hörs.
- När det uppstår ett köldmedelsläckage.

## SPECIFIKATIONER

Modell	Inomhus		MFZ-KW25VG-E1		MFZ-KW35VG-E1		MFZ-KW50VG-E1		MFZ-KW60VG-E1		
	Utomhus		MUFZ-KW25VGHZ-E1		MUFZ-KW35VGHZ-E1		MUFZ-KW50VGHZ-E1		MUFZ-KW60VGHZ-E1		
Funktion			Kyla	Värme	Kyla	Värme	Kyla	Värme	Kyla	Värme	
Strömförsörjning			~ /N, 230 V, 50 Hz								
Effekt		kW	2,5	3,4	3,5	4,3	5,0	6,0	6,1	6,5	
Ingång		kW	0,57	0,83	0,90	1,21	1,36	1,60	1,73	1,88	
Vikt	Inomhus	kg	15								
	Utomhus	kg	35				54				
Mängd köldmedium (R32)		kg	1,0				1,3				
IP-kod	Inomhus		IP20								
	Utomhus		IP24								
Tillåtet övertryck drifttryck	LP ps	MPa	2,77								
	HP ps	MPa	4,17								
Ljudnivå (SPL)	Inomhus (Super High/ High/Med./Low/Tyst)		dB(A)	39/35/30/ 25/20	41/35/30/ 25/18	39/35/30/ 25/20	41/35/30/ 25/18	44/39/35/ 31/27	50/45/40/ 35/29	53/46/39/ 35/27	51/47/41/ 35/29
	Utomhus		dB(A)	47	46	47	47	50	54	52	56

## Garanterat arbetsområde

		Inomhus	Utomhus
Kyla	Övre gräns	32°C DB 23°C WB	*Obs 2
	Undre gräns	21°C DB 15°C WB	
Värme	Övre gräns	27°C DB —	
	Undre gräns	20°C DB —	

DB: Torr lampa  
WB: Våt lampa

## Obs:

- Märkdata  
Kylning — Inomhus: 27°C DB, 19°C WB  
Utomhus: 35°C DB  
Uppvärmning — Inomhus: 20°C DB  
Utomhus: 7°C DB, 6°C WB
- För specifikationer, bekräfta med din återförsäljare och/eller se katalogen.

# TURVALLISUUSVAROTOIMET

## Sisä- ja/tai ulkoyksikössä esiintyvien merkkien selitykset

	<b>VAROITUS</b> (tulipalovaara)	Yksikössä käytetään syttyvää kylmäainetta. Jos kylmäainetta pääsee vuotamaan ja se pääsee kosketuksiin tulen tai lämmitysosan kanssa, se synnyttää haitallista kaasua ja aiheuttaa tulipaloriskin.
	Lue KÄYTTÖOHJEET huolellisesti ennen käyttöä.	
	Huoltohenkilöstön on luettava KÄYTTÖOHJEET ja ASENNUSOPAS huolellisesti ennen käyttöä.	
	Lisätietoa on mm. KÄYTTÖOHJEISSA ja ASENNUSOPPAASSA.	

- Koska tuotteessa on pyöriviä osia ja osia, jotka saattavat aiheuttaa sähköiskun, lue "Turvallisuusvarotoimet" ennen tuotteen käyttöä.
- Tässä olevat varoitukset ovat tärkeitä turvallisuutesi kannalta. Pehdy niihin huolellisesti.
- Kun olet lukenut tämän ohjekirjan, säilytä se asennusohjeiden kanssa paikassa, josta löydät sen helposti.

### Merkinnät ja niiden merkitykset

- VAROITUS** : Virheellinen käsittely saattaa aiheuttaa vakavan vaaratilanteen, josta on suurella todennäköisyydellä seurauksena vakava loukkaantuminen tai kuolema.
- HUOMIO** : Virheellinen käsittely saattaa johtaa vakavaan vaaratilanteeseen olosuhteista riippuen.

### Ohjekirjassa käytettyjen kuvakkeiden merkitykset

- : Vältä tekemästä.
- : Seuraa ohjeita.
- : Älä koskaan työnnä sormea, keppiä jne.
- : Älä koskaan nouse sisä- tai ulkoyksikön päälle äläkä laita mitään yksikön päälle.
- : Sähköiskun vaara. Noudata varovaisuutta.
- : Muista irrottaa virtajohdon pistoke pistorasiasta.
- : Katkaise virta.
- : Tulipalovaara.

<b>VAROITUS</b>	
	<b>Älä liitä virtajohtoa välipisteeseen, käytä jatkojohtoa tai liitä useita laitteita yhteen pistorasiaan.</b> <ul style="list-style-type: none"> <li>• Tämä saattaa aiheuttaa ylikuumentumisen, tulipalon tai sähköiskun vaaran.</li> </ul> <b>Tarkista, että pistoke on puhdas, ja työnnä se sitten pistorasiaan.</b> <ul style="list-style-type: none"> <li>• Likainen pistoke saattaa aiheuttaa tulipalon tai sähköiskun vaaran.</li> </ul> <b>Älä niputa, vedä tai vaurioita virtajohtoa äläkä tee siihen muutoksia. Älä altista virtajohtoa kuumuudelle äläkä laita raskaita esineitä sen päälle.</b> <ul style="list-style-type: none"> <li>• Tämä saattaa aiheuttaa tulipalon tai sähköiskun vaaran.</li> </ul> <b>Älä siirrä OFF/ON-katkaisinta äläkä irrota virtajohtoa käytön aikana.</b> <ul style="list-style-type: none"> <li>• Tämä saattaa synnyttää kipinöitä, jotka saattavat johtaa tulipalon syttymiseen.</li> <li>• Kun sisäyksikkö on kytketty pois päältä kaukosäätimellä, varmista, että katkaisin on OFF-asennossa, tai irrota virtajohdon pistoke pistorasiasta.</li> </ul> <b>Älä altista ruumistasi suoraan kylmälle ilmalle pitkiksi ajoiksi.</b> <ul style="list-style-type: none"> <li>• Se saattaa olla haitallista terveydelle.</li> </ul> <b>Käyttäjää ei saa asentaa, siirtää, purkaa eikä korjata yksikköä eikä tehdä siihen muutoksia.</b> <ul style="list-style-type: none"> <li>• Asiattomasti käsitelty ilmastointilaitte voi aiheuttaa tulipalon, sähköiskun, loukkaantumisen, vesivahingon tms. Kysy lisätietoja jälleenmyyjältä.</li> <li>• Jos virtajohto on vaurioitunut, anna valmistajan tai huolto- liikkeen edustajan vaihtaa se vaaratilanteen välttämiseksi.</li> </ul> <b>Varmista laitteen asennuksen, siirron tai huollon yhteydessä, että jäähdytyspiiriin ei pääse mitään muuta ainetta kuin määritettyä kylmäainetta (R32/R410A).</b> <ul style="list-style-type: none"> <li>• Jos piiriin pääsee vieraita aineita, kuten ilmaa, seurauksena saattaa olla liiallinen paineen nousu sekä räjähdys tai henkilövahinko.</li> <li>• Muun kuin järjestelmälle määritetyn kylmäaineen käyttäminen aiheuttaa mekaanisen vian, järjestelmän toimintahäiriön tai laitevaurion. Pahimmassa tapauksessa tämä voi tehdä tuotteesta vaarallisen.</li> </ul> <b>Tätä laitetta ei ole tarkoitettu fyysisesti tai henkisesti vajaakykyisten, aistivammaisten tai kokemattomien henkilöiden (lapset mukaan lukien) käyttöön, ellei heidän turvallisuudestaan vastaava henkilö ole opastanut tai neuvonut heitä laitteen käytössä.</b> <b>Lapsia on valvottava ja varmistettava, etteivät he leiki laitteella.</b>
	<b>Älä käännä katkaisinta OFF-asentoon paitsi silloin, jos yksiköstä tulee palaneen hajua tai kun yksikköä huolletaan tai tarkastetaan.</b> <ul style="list-style-type: none"> <li>• Kylmäaineen vuotoa ei voi havaita, ja tämä voi aiheuttaa tulipalon.</li> </ul> <b>Yksikköä ei saa asentaa paikkaan, joka voi täyttyä savusta, kaasusta tai lääkeaineesta.</b> <ul style="list-style-type: none"> <li>• Sisäyksikön lähellä ei saa käyttää propaania, butaania tai metaania, suihkeita, kuten hyönteismyrkkyjä, tai päällystysaineita.</li> <li>• Kylmäaineanturi reagoi niihin ja näyttää virheviestin. Tämä voi johtaa yksikön toimintahäiriöön.</li> </ul>

	<b>(Toimenpiteet kylmäaineen vuototapauksessa)</b> <b>Jos yksiköstä vuotaa kylmäainetta, sammuta tuli, kuten lämmittimet, ja tuuleta huonetta riittävästi avaamalla ikkuna.</b> <ul style="list-style-type: none"> <li>• Ota sitten yhteys jälleenmyyjään.</li> <li>• Sisäyksikkö levittää kylmäainetta FAN-tilassa tulipalon estämiseksi. Älä käännä katkaisinta OFF-asentoon tässä tilanteessa.</li> </ul>
	<b>Älä työnnä sormea, keppiä tai muita esineitä ilman tulo- tai lähtöaukkoon.</b> <ul style="list-style-type: none"> <li>• Tämä saattaa johtaa loukkaantumiseen, sillä yksikön sisällä oleva tuuletin pyörii suurella nopeudella käytön aikana.</li> </ul>
	<b>Jos havaitset ilmastointilaitteen toiminnassa jotakin poikkeavaa (jos esimerkiksi haisee palaneelta), sammuta laite ja irrota virtajohto pistorasiasta tai käännä katkaisin OFF-asentoon.</b> <ul style="list-style-type: none"> <li>• Jos laitteen käyttöä jatketaan poikkeavasta tilasta huolimatta, seurauksena saattaa olla laitteen virhetoiminta, tulipalo tai sähköisku. Ota tässä tapauksessa yhteyttä laitteen toimitajaan.</li> </ul>
	<b>Jos ilmastointilaite ei viilennä tai lämmitä, syynä saattaa olla kylmäaineen vuoto. Jos kylmäainevuoto havaitaan, tuuleta huone huolellisesti ja ota välittömästi yhteys jälleenmyyjään. Älä käännä katkaisinta OFF-asentoon. Jos korjaustoimiin kuuluu kylmäaineen lisääminen, pyydä huoltoteknikolta lisätietoja.</b> <ul style="list-style-type: none"> <li>• Ilmastointilaitteessa käytetty kylmäaine ei ole haitallista. Tavallisesti vuotoa ei esiinny. Jos kylmäainetta kuitenkin pääsee vuotamaan ja joutuu kosketuksiin tulen tai lämmitysosan, esimerkiksi lämpöpuhaltimen, kerosiiniilämmityslaitteen tai keittolieden, kanssa, se synnyttää haitallista kaasua ja aiheuttaa tulipalovaaran.</li> </ul>
	<b>Käyttäjää ei saa koskaan yrittää pestä sisäyksikön sisäpuolta. Jos yksikön sisäpuoli kaippaa puhdistusta, ota yhteys jälleenmyyjään.</b> <ul style="list-style-type: none"> <li>• Sopimaton pesuaine voi vahingoittaa yksikön sisällä olevia muovimateriaaleja, mistä voi aiheutua vesivuoto. Jos pesuainetta joutuu kosketuksiin moottorin sähköosien kanssa, voi tästä aiheutua toimintahäiriö, savua tai tulipalo.</li> <li>• Laitetta täytyy säilyttää huoneessa, jossa ei ole jatkuva-käyttöisiä syttymislähteitä (kuten avotuli tai käytössä oleva kaasulaite tai sähkölämmitin).</li> <li>• Huomaa, että kylmäaineet saattavat olla hajuttomia.</li> <li>• Älä nopeuta huurteenpoistoa tai käytä muita kuin valmistajan suosittelemia puhdistusmenetelmiä.</li> <li>• Älä puhkaise tai polta.</li> </ul>
	<b>Tämä yksikkö on asennettava huoneisiin, joiden lattiapinta-ala on suurempi kuin asennusoppaassa määritetty lattiapinta-ala.</b> <ul style="list-style-type: none"> <li>• Katso asennusopas.</li> </ul>
	<b>Tämä laite on tarkoitettu erikoistuneiden tai koulutettujen henkilöiden käyttöön myymälöissä, pienteollisuudessa ja maatilalla sekä kouluttamattomien henkilöiden käyttöön kaupallisessa käytössä.</b>



# TURVALLISUUSVAROTOIMET

## ⚠ HUOMIO

⊘	<p><b>Älä koske ilman tuloaukkoon äläkä sisä- tai ulkoyksikön alumiiniviiniin.</b></p> <ul style="list-style-type: none"> <li>Tämä saattaa johtaa loukkaantumiseen.</li> </ul>
	<p><b>Älä käytä hyönteismyrkkyjä tai syttyviä sumutteita yksikön lähellä.</b></p> <ul style="list-style-type: none"> <li>Tämä saattaa johtaa tulipaloon tai yksikön turmeltumiseen.</li> </ul>
	<p><b>Älä altista lemmikkieläimiä tai huonekasveja suoralle ilmavirralle.</b></p> <ul style="list-style-type: none"> <li>Tämä saattaa johtaa lemmikin tai kasvin vahingoittumiseen.</li> </ul>
	<p><b>Älä aseta muita sähkölaitteita tai huonekaluja sisä- tai ulkoyksikön alle.</b></p> <ul style="list-style-type: none"> <li>Yksiköstä saattaa tippua vettä, joka saattaa aiheuttaa vaurioita.</li> </ul>
	<p><b>Älä jätä yksikköä asennusjalustalle, jos jalusta on vaurioitunut.</b></p> <ul style="list-style-type: none"> <li>Yksikkö saattaa pudota ja aiheuttaa vaurioita.</li> </ul>
	<p><b>Älä seiso epävakaalla penkillä yksikön käyttämiseksi tai puhdistamiseksi.</b></p> <ul style="list-style-type: none"> <li>Saatat loukkaantua, jos putoat.</li> </ul>
	<p><b>Älä vedä virtajohdosta.</b></p> <ul style="list-style-type: none"> <li>Tämä saattaa johtaa johdon ytimen vaurioitumiseen, josta saattaa olla seurauksena laitteen ylikuumentuminen tai tulipalo.</li> </ul>
	<p><b>Älä lataa tai pura paristoja äläkä heitä niitä tuleen.</b></p> <ul style="list-style-type: none"> <li>Paristot saattavat vuotaa, aiheuttaa tulipalon tai räjähtää.</li> </ul>
	<p><b>Älä käytä yksikköä yli 4 tunnin ajan kosteusprosentin ollessa korkea (suht. kosteus 80 % tai enemmän) ja/tai jos ikkuna tai ulko-ovi on auki.</b></p> <ul style="list-style-type: none"> <li>Tämä voi aiheuttaa ilmastointilaitteessa veden kondensoitumista, ja laitteesta voi tippua vettä, joka kastelee tai vahingoittaa huonekaluja.</li> <li>Veden kondensoituminen ilmastointilaitteessa voi johtaa homeen tai muun sienikasvuston muodostumiseen.</li> </ul>
	<p><b>Älä käytä yksikköä mihinkään erikoistarkoitukseen, esimerkiksi ruuan säilytykseen, eläinten pesänä tai kasvien kasvattamiseen tai tarkkuusinstrumenttien tai taide-esineiden säilyttämiseen.</b></p> <ul style="list-style-type: none"> <li>Esineiden laatu saattaa kärsiä, ja eläimet tai kasvit saattavat vahingoittua.</li> </ul>
	<p><b>Älä altista polttolaitteita suoralle ilmavirralle.</b></p> <ul style="list-style-type: none"> <li>Tämä saattaa johtaa epätavalliseen palamiseen.</li> </ul>
	<p><b>Älä koskaan laita paristoja suuhun, jotta et niele niitä vahingossa.</b></p> <ul style="list-style-type: none"> <li>Paristojen nieleminen voi aiheuttaa tukehtumis- ja/tai myrkytysvaaran.</li> </ul>
⚠	<p><b>Ennen kuin puhdistat yksikön, katkaise siitä virta ja irrota virtapistoke tai käännä katkaisin OFF-asentoon.</b></p> <ul style="list-style-type: none"> <li>Tämä saattaa johtaa loukkaantumiseen, sillä yksikön sisällä oleva tuuletin pyörii suurella nopeudella käytön aikana.</li> </ul>
	<p><b>Vaihda kaikki kaukosäätimen paristot uusiin samantyyppisiin paristoihin.</b></p> <ul style="list-style-type: none"> <li>Vanhojen paristojen käyttäminen sekaisin uusien kanssa saattaa aiheuttaa ylikuumentumista, vuotoa tai räjähdystä.</li> </ul>
	<p><b>Jos paristoneste joutuu kosketuksiin ihon tai vaatteiden kanssa, pese iho tai vaatteet läpikotaisin puhtaalla vedellä.</b></p> <ul style="list-style-type: none"> <li>Jos paristonestettä joutuu silmiin, pese silmät tarkoin puhtaalla vedellä ja hakeudu välittömästi lääkärin hoitoon.</li> </ul>
	<p><b>Huolehdi siitä, että alue on hyvin ilmastoitu, jos yksikköä käytetään samaan aikaan polttolaitteen kanssa.</b></p> <ul style="list-style-type: none"> <li>Jos alue on riittämättömästi ilmastoitu, saattaa esiintyä happikatoa.</li> </ul>

⚠	<p><b>Käännä katkaisin OFF-asentoon ukonilmalla, jos esiintyy salamointia.</b></p> <ul style="list-style-type: none"> <li>Yksikkö saattaa vaurioitua salamaniskusta.</li> </ul>
	<p><b>Kun ilmastointilaitetta on käytetty usean kauden ajan, tarkista ja huolla se tavallisten puhdistustoimien lisäksi.</b></p> <ul style="list-style-type: none"> <li>Yksikköön kerääntyvät lika ja pöly saattavat aiheuttaa epämiellyttäviä hajuja, synnyttää sienikasvustoa, esimerkiksi homeetta, tai tukkia poistoaukon, josta saattaa olla seurauksena veden vuotaminen sisäyksiköstä. Pyydä laitteen toimittajalta neuvoja laitteen tarkistukseen ja huoltoon, jotka vaativat erityistietämystä ja -taitoja.</li> </ul>
⚡	<p><b>Älä koske katkaisimiin märin käsin.</b></p> <ul style="list-style-type: none"> <li>Saatat saada sähköiskun.</li> </ul>
	<p><b>Älä puhdista ilmastointilaitetta vedellä äläkä laita sen päälle astioita, joissa on vettä, esimerkiksi kukkamaljakkoo.</b></p> <ul style="list-style-type: none"> <li>Tämä saattaa aiheuttaa tulipalon tai sähköiskun vaaran.</li> </ul>
⊘	<p><b>Älä nouse tai laita mitään esineitä ulkoyksikön päälle.</b></p> <ul style="list-style-type: none"> <li>Saatat loukkaantua, jos putoat tai jos yksikön päällä oleva esine putoaa.</li> </ul>

## ⚠ TÄRKEÄÄ

Likaiset suodattimet voivat aiheuttaa ilmastointilaitteessa kondensaatiota, mikä voi johtaa homeen tai muun sienikasvuston muodostumiseen. Tästä syystä suosittelemme ilmansuodattimien puhdistamista 2 viikon välein.

## Asennus

### ⚠ VAROITUS

⊘	<p><b>Pyydä laitteen toimittajan asentamaan ilmastointilaitte.</b></p> <ul style="list-style-type: none"> <li>Käyttäjä ei saa asentaa sitä, koska sen asentamiseen vaaditaan erikoistietämystä ja -taitoja. Väärin asennettu ilmastointilaitte saattaa aiheuttaa vesivuotoa, tulipalon tai sähköiskun.</li> </ul>
	<p><b>Ilmastointilaitteella pitää olla oma virtalähteensä.</b></p> <ul style="list-style-type: none"> <li>Jos laitteen kanssa käytetään jotain muuta virtalähdettä, laite saattaa ylikuumentua tai saattaa sytyä tulipalo.</li> </ul>
	<p><b>Älä asenna yksikköä paikkaan, missä saattaa esiintyä tulenarkojen kaasujen vuotoa.</b></p> <ul style="list-style-type: none"> <li>Jos vuotavaa kaasua kerääntyy yksikön ympärille, seurauksena saattaa olla räjähdys.</li> </ul>
⚠	<p><b>Maadoita yksikkö asianmukaisesti.</b></p> <ul style="list-style-type: none"> <li>Älä kytke maata kaasuputkeen, vesiputkeen, ukkosenjohdattimeen tai puhelinlinjaan. Väärin maatettu yksikkö saattaa aiheuttaa sähköiskun.</li> </ul>
⚠	<h3>HUOMIO</h3> <p><b>Asenna maavuotokytkin, jos ilmastointilaitteen asennuspaikka sitä edellyttää (esim. erittäin kosteilla alueilla).</b></p> <ul style="list-style-type: none"> <li>Jos maavuotokytkintä ei asenneta, seurauksena saattaa olla sähköisku.</li> </ul> <p><b>Varmista, että kerääntyvä vesi tyhjenetään kunnollisesti.</b></p> <ul style="list-style-type: none"> <li>Jos tyhjennys ei tapahdu oikein, vettä saattaa tippua sisä- tai ulkoyksiköstä kastellen ja turmellen huonekaluja.</li> </ul>

### Jos laitteen toiminta on epänormaalia

Lopeta ilmastointilaitteen käyttö välittömästi ja ota yhteyttä laitteen toimittajaan.

# HÄVITTÄMINEN



Ota yhteyttä tuotteen toimittajaan tuotteen hävittämistä varten.

### Huomautus:

Tämä kuvake koskee vain EU-maita.  
Tämä kuvake on direktiivin 2012/19/EU artiklan 14 (tietoa käyttäjille) ja liitteen IX mukainen ja/tai direktiivin 2006/66/EY artiklan 20 (tietoa loppukäyttäjille) ja liitteen II mukainen.

Fig. 1

MITSUBISHI ELECTRIC -tuotteesi on valmistettu korkealaatuisista materiaaleista ja osista, jotka voidaan helposti kierrättää ja/tai käyttää uudelleen.

Tämä kuvake tarkoittaa sitä, että sähkö- ja elektroniikkalaitteet, paristot ja akut tulee niiden käyttöiän lopussa hävittää erillään kodin jätteistä.

Jos kuvakkeen alla on kemiallinen kuvake (Fig. 1), tämä kemiallinen kuvake tarkoittaa sitä, että paristo tai akku sisältää raskasmetallia tietyssä väkevyydessä. Tämä ilmoitetaan seuraavasti:

Hg: elohopea (0,0005 %), Cd: kadmium (0,002 %), Pb: lyijy (0,004 %)

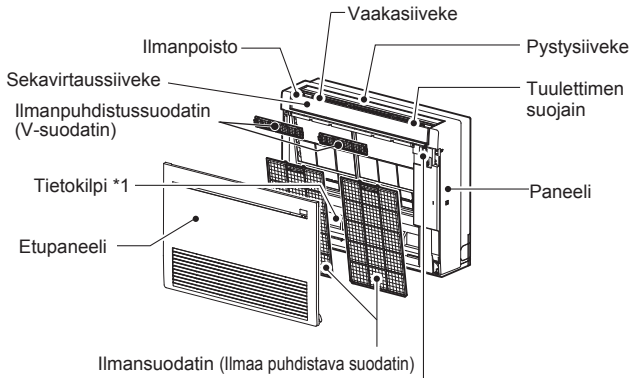
Euroopan unionin sisällä on erillisiä keräysjärjestelmiä käytettyjä sähkö- ja elektroniikkatuotteita sekä paristoja ja akkuja varten.

Hävitä tämä laite sekä paristot ja akut asianmukaisesti paikallisessa jätteenkeräys ja -hävityskeskuksessa.

Auta meitä suojelemaan ympäristöä.

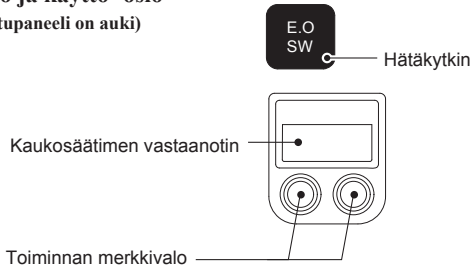
# ERI OSIEN NIMET

## Sisäyksikkö



\*1 Valmistusvuosi ja -kuukausi ilmaistaan tietokilvessä.

### Näyttö ja käyttö -osio (Kun etupaneeli on auki)

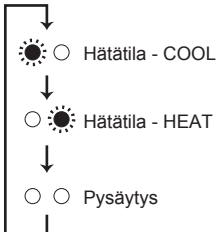


## Jos kaukosäädintä ei voida käyttää...

Hätätiläkäyttö voidaan ottaa käyttöön painamalla sisäyksikön hätäkytkintä (E.O SW).

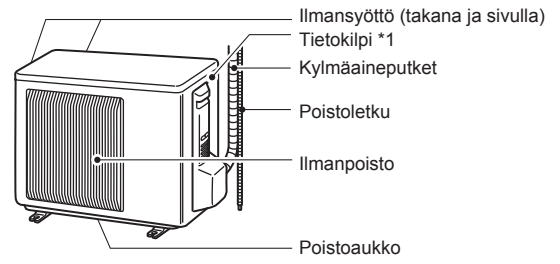
Jokainen E.O SW-kytkimen painallus vaihtaa tilaa seuraavassa järjestyksessä:

### Toiminnan merkkivalo



Asetettu lämpötila : 24°C  
Tuulettimen nopeus : normaali  
Vaakasiiveke : automaattinen

## Ulkoyksikkö

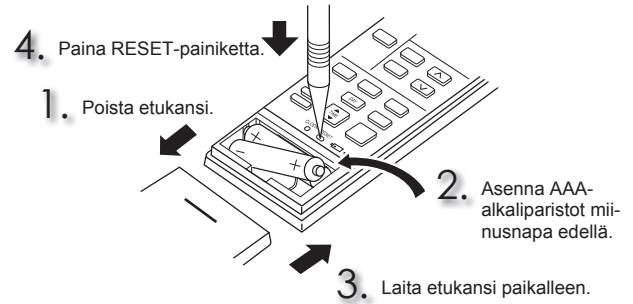


Ulkoyksiköt saattavat olla ulkonäöltään erilaisia.  
\*1 Valmistusvuosi ja -kuukausi ilmaistaan tietokilvessä.

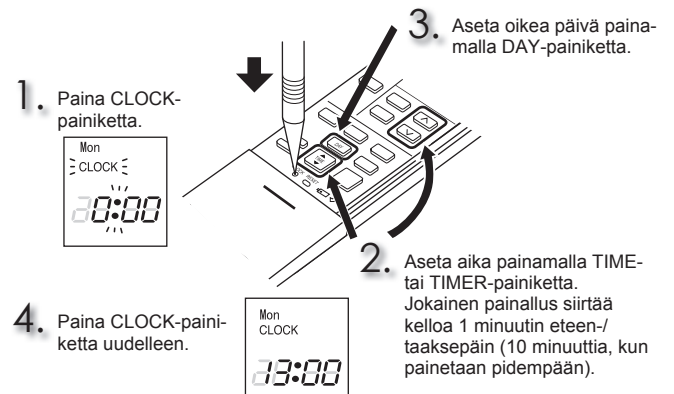
# TOIMENPITEET ENNEN KÄYTTÖÄ

Ennen käyttöä: Kytke virtajohto pistorasiaan ja/tai siirrä katkaisin päälle.

## Kaukosäätimen paristojen asentaminen

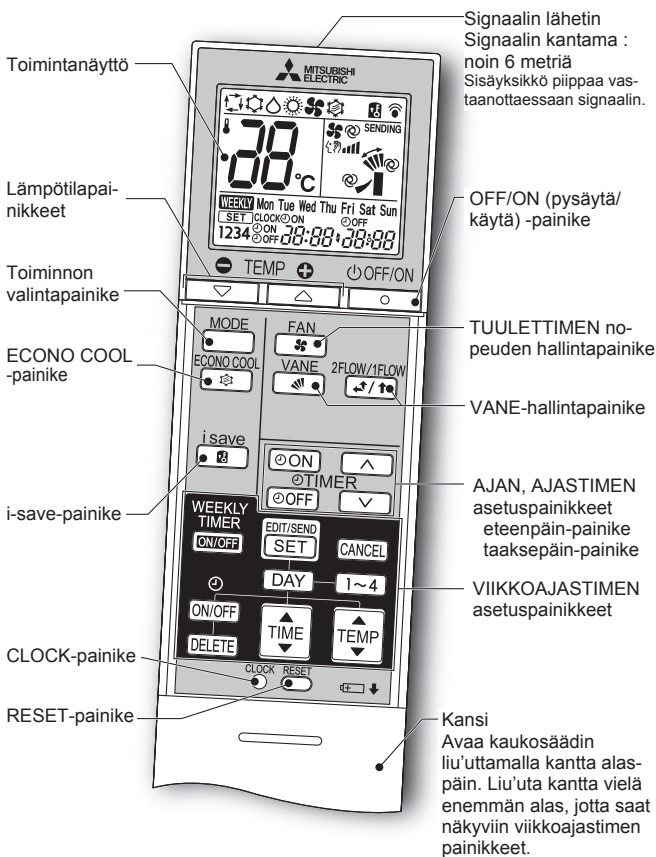


## Ajan asettaminen



# TOIMENPITEET ENNEN KÄYTTÖÄ

## Kaukosäädin



## AJAN, AJASTIMEN asetuspainikkeet

Muuta aikaa eteen- tai taaksepäin

**ON** (ON-ajastin) : Yksikkö menee päälle määritetyllä hetkellä.

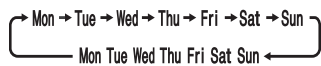
**OFF** (OFF-ajastin) : Yksikkö menee pois päältä määritetyllä hetkellä.

Aseta ajastimen aika painamalla **▲** (eteenpäin) ja **▼** (taaksepäin).

## VIIKKOAJASTIMEN asetuspainikkeet

Avaa viikkoajastimen asetustila painamalla **EDIT/SEND SET**.

Paina **DAY** ja **1~4** ja valitse asetettava päivä ja numero.



Paina **ON/OFF**, **TIME** ja **TEMP** ja aseta ON/OFF, aika ja lämpötila.

Voit lopettaa viikkoajastimen asetusten tekemisen ja siirtää ne painamalla **EDIT/SEND SET**.

Kytke viikkoajastin käyttöön (ON) painamalla **WEEKLY TIMER ON/OFF**. ( **WEEKLY** -merkkivalo syttyy.)

Voit kytkeä viikkoajastimen pois käytöstä (OFF) painamalla uudelleen **WEEKLY TIMER ON/OFF**. ( **WEEKLY** sammuu.)

**OFF/ON**  
**OFF/ON** (pysäytä/käytä) -painike

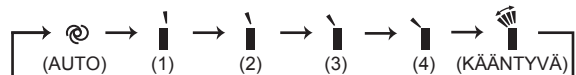
**MODE**  
Toiminnon valintapainike  
(AUTO) (COOL) (DRY) (HEAT) (FAN)

**▲**  
**▼**  
Lämpötilapainikkeet

**FAN**  
TUULETTIMEN nopeuden hallintapainike  
(AUTO) (hiljainen) (matala) (normaali) (korkea) (erittäin korkea)

**VANE**  
VANE-hallintapainike

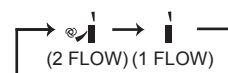
Valitse ilman pystyvirtaussuuntaa painamalla **VANE**.  
Kukin painallus muuttaa ilman virtaussuuntaa seuraavassa järjestyksessä:



- Sisäyksiköstä kuuluu kaksi lyhyttä piippausta, kun yksikkö on asetettu AUTO-tilaan.
- Vaaka- ja sekavirtaussiivekkeen liikuttaminen manuaalisesti voi aiheuttaa ongelmia.
- Vaaka- ja sekavirtaussiivekke määrittävät asentonsa liikkumalla automaattisesti tietyin väliajoin ja palaavat sitten asetettuun asentoon.
- Kun ilmanpoiston asetuksia vaihdetaan 1 FLOW- ja 2 FLOW -asetusten välillä, vaakasiivekkeet saattavat liikkua ja muuttaa asentoa.

**2FLOW/1FLOW**  
VANE-hallintapainike

Valitse ilmanpoisto(t) painamalla **2FLOW/1FLOW**.  
Jos 2 FLOW -tila on valittuna, ilmaa puhalletaan yksikön päältä ja edestä. Kun 1 FLOW -asetus on valittuna, ilmaa puhalletaan vain yksikön yläosasta.



- Sekavirtaussiivekke kääntyy automaattisesti oikeaan asentoon. Vaikka 2 FLOW -asetus olisi valittuna, ilmaa puhalletaan vain yksikön yläosasta seuraavissa olosuhteissa:
- COOL- tai DRY-tiloissa: huonelämpötila on lähellä asetettua lämpötilaa. Ilmastointilaitte on ollut käytössä 0,5-1 tunnin ajan.
  - HEAT-tilassa: ilmavirran lämpötila on alhainen. (Muun muassa sulatuksen ja käytön aloituksen aikana)

**ECONO COOL**  
ECONO COOL -painike

Mikroprosessori muuttaa automaattisesti asetettua lämpötilaa ja ilmavirtauksen suuntaa.

**i save**  
i-save-painike

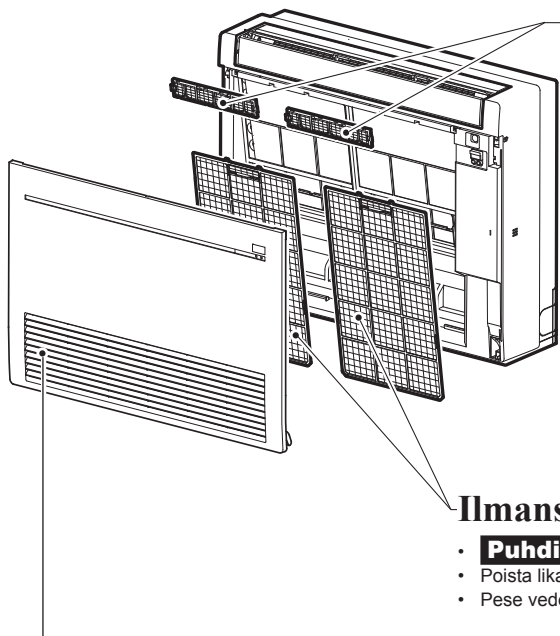
Yksinkertaisella palautustoiminnolla voidaan palauttaa usein käytetty (esiasetettu) asetus kerran **i save** -painiketta painamalla. Painamalla painiketta uudelleen voidaan palata nopeasti edelliseen asetukseen.

# PUHDISTUS

## Ohjeet:

- Kytke virtalähde pois päältä tai käännä virtakatkaisin pois päältä ennen puhdistamista.
- Älä koske metalliosiin käsin.
- Älä käytä bensiiniä, tinneriä, kiillotusjauhetta tai hyönteismyrkkyä.
- Pese näkyvä lika neutraalilla keittiöpuhdistusaineella, jota on laimennettu haalealla vedellä määrättyyn pitoisuuteen, ja pyyhi puhdistusaine sitten kostealla liinalla.

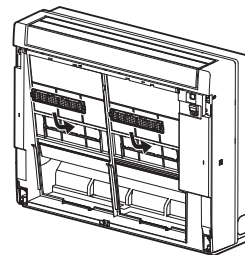
- Älä yritä kuivata osia suorassa auringonpaisteessa, lämmöllä tai tulella.
- Älä käytä vettä, jonka lämpötila on yli 50°C.
- Älä käytä kuurausharjaa, kovaa sientä tai vastaavaa.
- Älä liota tai huuhtelee vaakasiivekettä.



## Ilmanpuhdistussuodatin (V-suodatin)

### Ilmansuodattimen takaosa Puhdista 3 kuukauden välein:

- Poista lika imurilla.
- Jos lika ei irtoa imurilla:**
  - Liota suodatinta ja sen kehystä haaleassa vedessä ja huuhtelee.
  - (Mietoja, laimennettuja puhdistusaineita voidaan käyttää, jos lika ei muuten irtoa.)
  - Kuivaa se pesun jälkeen huolellisesti varjossa.
- Vuosittain:**
  - Vaihda ilmanpuhdistimen suodatin suorituskyvyn säilyttämiseksi.
  - Osanumero **MAC-2470FT-E**



## Ilmansuodatin (Ilmaa puhdistava suodatin)

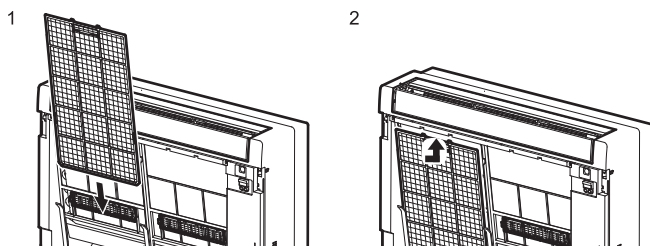
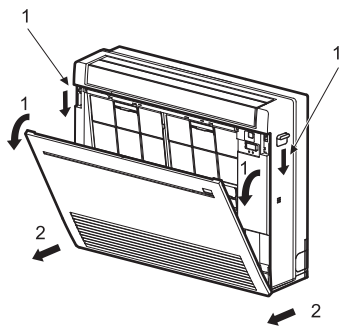
- **Puhdista 2 viikon välein**
- Poista lika imurilla tai huuhtelee vedellä.
- Pese vedellä ja kuivaa hyvin varjossa.

## Huomautus:

- Myös hopeaionisoitua ilmanpuhdistussuodatinta voidaan käyttää.
- Osanumero **MAC-2370FT-E**

## Etupaneeli

1. Avaa etupaneeli painamalla yksikön molemmilla puolilla olevat läpät alas.
2. Irrota etupaneeli vetämällä sitä itseäsi kohti.
3. Avaa etupaneeli kokonaan ja irrota se.
  - Pyyhi pehmeällä, kuivalla kankaalla tai pese vedellä.
  - Älä liota vedessä yli kahta tuntia.
  - Kuivaa huolellisesti varjossa ennen asennusta.
4. Asenna etupaneeli päinvastaisessa järjestyksessä irrotukseen nähden.



## ! Tärkeää

- **Laitteen suorituskyky säilyy korkeana ja virrankulutus vähennee, kun suodattimet puhdistetaan säännöllisesti.**
- **Likaiset suodattimet voivat aiheuttaa kondensaatiota ilmastointilaitteessa, mikä voi johtaa homeen tai muun sienikasvuston muodostumiseen. Tästä syystä suosittelemme ilmansuodattimien puhdistamista 2 viikon välein.**

Nämä tiedot perustuvat ASETUKSEEN (EU) n:o 528/2012

MALLIN NIMI	Käsittely esine (Osien nimi)	Aktiiviset aineet (CAS-nro)	Ominaisuus	Käyttöohje (Turvallisen käsittelyn tiedot)
MFZ-KW25/35/50/60VG	SUODATIN	Hopea-natrium-vety-sirkonium-fosfaatti (265647-11-8)	Antibakteerinen Homeenesto	<ul style="list-style-type: none"> <li>• Käytä tätä tuotetta käyttöohjeen mukaisesti ja vain suunniteltuun käyttötarkoitukseen.</li> <li>• Älä laita suuhun. Pidä poissa lasten ulottuvilta.</li> </ul>
		Dimetyylioktadekyyli[3-(trimetoksisilyyli)propyyli]-ammoniumkloridi (27668-52-6)	Virustentorjunta Antibakteerinen Homeenesto	<ul style="list-style-type: none"> <li>• Käytä tätä tuotetta käyttöohjeen mukaisesti ja vain suunniteltuun käyttötarkoitukseen.</li> <li>• Älä laita suuhun. Pidä poissa lasten ulottuvilta.</li> </ul>
MAC-2470FT-E	SUODATIN	Dimetyylioktadekyyli[3-(trimetoksisilyyli)propyyli]-ammoniumkloridi (27668-52-6)	Virustentorjunta Antibakteerinen Homeenesto	<ul style="list-style-type: none"> <li>• Käytä tätä tuotetta käyttöohjeen mukaisesti ja vain suunniteltuun käyttötarkoitukseen.</li> <li>• Älä laita suuhun. Pidä poissa lasten ulottuvilta.</li> </ul>
MAC-2370FT-E	SUODATIN	Hopea-sinkkizeoliitti (130328-20-0)	Antibakteerinen	<ul style="list-style-type: none"> <li>• Käytä tätä tuotetta käyttöohjeen mukaisesti ja vain suunniteltuun käyttötarkoitukseen.</li> <li>• Älä laita suuhun. Pidä poissa lasten ulottuvilta.</li> </ul>

# KUN LUULET, ETTÄ ON SYNTYNYT ONGELMA

Jos näiden asioiden tarkistaminen ei korjaa ongelmaa, lopeta ilmasto-tilailaitteen käyttö ja ota yhteyttä laitteen toimittajaan.

Oire	Selitys ja tarkistettavat asiat
<b>Sisäyksikkö</b>	
Yksikköä ei voida käyttää.	<ul style="list-style-type: none"> <li>Onko virtakatkaisin käännetty päälle?</li> <li>Onko virtalähteen johto liitetty pistorasiaan?</li> <li>Onko ON-ajastin asetettu?</li> </ul>
Yksikköä ei voida käyttää noin 3 minuuttiin uudelleenkäynnistyksen jälkeen.	<ul style="list-style-type: none"> <li>Tämä suojaa yksikköä mikroprosessorin ohjeiden mukaisesti. Odota.</li> </ul>
Sisäyksikön ilmanpoistosta tulee utua.	<ul style="list-style-type: none"> <li>Yksiköstä poistuva kylmä ilma viilentää nopeasti huoneilmassa olevan kosteuden, joka muuttuu uduksi.</li> </ul>
VAAKASIIVEKE lakkaa hetkeksi kääntymästä, jonka jälkeen se alkaa kääntyä uudelleen.	<ul style="list-style-type: none"> <li>Tämä on tavallista toimintaa VAAKASIIVEKEELTÄ.</li> </ul>
Ilman virtausuunta muuttuu käytön aikana. Vaaka- ja sekavirtausiivekkeen suuntaa ei voi muuttaa kaukosäätimellä.	<ul style="list-style-type: none"> <li>Jos ilmavirran lämpötila on liian alhainen lämmitettäessä tai sulatettaessa, vaakasiiiveke kääntyy automaattisesti pystyasentoon. Sekavirtausiiveke kääntyy suljettuun asentoon.</li> <li>Jos ilmaa puhalletaan vaakatasossa 1 tunnin ajan, kun ilmastoilmaletta käytetään COOL- tai DRY-tilassa, ilman virtausuunta muutetaan automaattisesti asentoon (1). Tämä estää kondensoitunutta vettä valumasta ulos laitteesta. Sekavirtausiiveke kääntyy suljettuun asentoon.</li> <li>Vaaka- ja sekavirtausiivekkeet määrittävät asentonsa liikkumalla automaattisesti tietyin väliajoin ja palaavat sitten asetettuun asentoon.</li> </ul>
Toiminto keskeytetään noin 10 minuutin ajaksi lämmitystoiminnossa.	<ul style="list-style-type: none"> <li>Ulkoyksikköä sulatetaan. Odota. Tähän kuluu enintään 10 minuuttia. (Jos ulkolämpötila on liian alhainen ja ilmankosteus on liian suuri, muodostuu jäätä.)</li> </ul>
Yksikkö aloittaa toiminnan itseksensä, kun päävirta kytketään, vaikka yksikköä ei ohjata kaukosäätimellä.	<ul style="list-style-type: none"> <li>Näissä malleissa on automaattinen uudelleenkäynnistystoiminto. Jos päävirta katkaistaan sammuttamatta laitetta kaukosäätimellä ja laitteeseen kytketään uudelleen virta, yksikkö jatkaa automaattisesti toimintaa samassa tilassa, joka oli valittu kaukosäätimellä ennen päävirran katkaisemista. Katso kohta "Automaattinen uudelleenkäynnistystoiminto".</li> </ul>
Sekavirtausiiveke avautuu ja sulkeutuu automaattisesti.	<ul style="list-style-type: none"> <li>Mikroprosessori ohjaa automaattisesti sekavirtausiivekkeen toimintaa laitteen ilmavirran lämpötilan ja käyttöajan mukaan.</li> </ul>
Sisäyksikkö, jota ei käytetä, lämpenee, ja yksiköstä kuuluu ääni, joka muistuttaa virtaavan veden ääntä.	<ul style="list-style-type: none"> <li>Pieni määrä kylmäainetta virtaa edelleen sisäyksikköön, vaikka se ei olisikaan käytössä.</li> </ul>
Sisäyksikön väri muuttuu ajan kuluessa.	<ul style="list-style-type: none"> <li>Muovi saattaa kellastua ultraviolettilon ja lämpötilan kaltaisten tekijöiden vaikutuksesta, mutta tämä ei vaikuta tuotteen toimintaan.</li> </ul>
<b>Ulkoyksikkö</b>	
Ulkoyksikön tuuletin ei pyöri, vaikka kompressori on käynnissä. Vaikka tuuletin pyörisikin, se lakkaa pyörimästä pian.	<ul style="list-style-type: none"> <li>Kun ulkolämpötila on alhainen jäähdytyksen aikana, tuuletin toimii pitkään riittävän jäähdytystehon säilyttämiseksi.</li> </ul>
Ulkoyksiköstä vuotaa vettä.	<ul style="list-style-type: none"> <li>COOL- ja DRY-toimintojen aikana putket tai putkiliitännät jäähtyvät. Tämä aiheuttaa veden tiivistymistä.</li> <li>Lämmitettäessä lämmönvaihtimeen tiivistynyttä vettä saattaa valua ulos.</li> <li>Lämmitystoiminnon aikana ulkoyksikköön muodostunut jää sulaa sulatusvaiheen aikana ja vettä saattaa valua ulos.</li> </ul>
Ulkoyksikkö sylkee valkoista savua.	<ul style="list-style-type: none"> <li>Lämmityksen aikana sulatus toiminnon synnyttämä höyry näyttää valkoiselta savulta.</li> </ul>
<b>Kaukosäädin</b>	
Kaukosäätimen näyttö on pimeä tai himmeä. Sisäyksikkö ei vastaa kaukosäätimen signaaliin.	<ul style="list-style-type: none"> <li>Onko paristoissa virtaa?</li> <li>Onko paristot asennettu oikein päin (+, -)?</li> <li>Onko kaukosäätimen tai muiden sähkölaitteiden painikkeita painettu?</li> </ul>

Oire	Selitys ja tarkistettavat asiat
<b>Laitte ei jäähdytä tai lämmitä</b>	
Huonetta ei voida jäähdyttää tai lämmitää riittävästi.	<ul style="list-style-type: none"> <li>Onko lämpötila asetettu oikein?</li> <li>Onko tuulettimen asetus oikea? Säädä tuulettimen nopeudeksi korkea tai erittäin korkea.</li> <li>Onko ilmanpoiston asetuksena 1 FLOW? Vaihda asetukseksi 2 FLOW.</li> <li>Onko suodatin puhdas?</li> <li>Asetetun lämpötilan tuuletin tai lämmönvaihdin puhdas?</li> <li>Tukkiiko jokin sisä- tai ulkoyksikön ilmansyötön tai -poiston?</li> <li>Onko ikkuna tai ovi auki?</li> <li>Asetetun lämpötilan saavuttamiseen saattaa kulua jonkin aikaa tai sitä ei ehkä saavuteta johtuen huoneen koosta, ympäristön lämpötilasta ja vastaavista syistä.</li> </ul>
Huonetta ei voida jäähdyttää riittävästi.	<ul style="list-style-type: none"> <li>Jos huoneessa käytetään tuuletinta tai kaasukeittintä, jäähdytystaakka kasvaa ja laitteen jäähdytysteho heikkenee.</li> <li>Jos ulkolämpötila on korkea, jäähdytysvaikutus saattaa olla riittämätön.</li> </ul>
Huonetta ei voida lämmitää riittävästi.	<ul style="list-style-type: none"> <li>Jos ulkolämpötila on alhainen, lämmitysvaikutus saattaa olla riittämätön.</li> </ul>
Ilmaa ei puhalleta pian ulos lämmitettäessä.	<ul style="list-style-type: none"> <li>Odota, kun yksikkö valmistautuu puhaltamaan lämmintä ilmaa ulos.</li> </ul>
<b>Ilmavirta</b>	
Sisäyksiköstä tuleva ilma haisee oudolta.	<ul style="list-style-type: none"> <li>Onko suodatin puhdas?</li> <li>Onko sisäyksikön tuuletin tai lämmönvaihdin puhdas?</li> <li>Yksikkö saattaa imeä sisään hajuja seinistä, matoista, huonekaluista, kankaista jne. ja puhaltaa ne ulos ilman mukana.</li> </ul>
<b>Ääni</b>	
Kuuluu raksahdus.	<ul style="list-style-type: none"> <li>Tämän äänen synnyttää paneelin laajentuminen tai supistuminen, joka johtuu lämpötilanvaihdoksesta.</li> </ul>
Kuuluu pulputtava ääni.	<ul style="list-style-type: none"> <li>Tämä ääni kuuluu, kun ulkoilmaa imetään poistoletkun kautta kääntämällä päälle suuntahappu tai tuuletin, jolloin poistoletkussa virtaava vesi sylkeytyy ulos.</li> <li>Tämä ääni kuuluu myös silloin, kun ulkoilmaa puhaltuu sisään poistoletkuun voimakkaalla tuulella.</li> </ul>
Sisäyksiköstä kuuluu mekaaninen ääni.	<ul style="list-style-type: none"> <li>Tämä ääni kuuluu, kun tuuletin tai kompressori kytketty käyttöön tai pois käytöstä.</li> </ul>
Kuuluu virtaavan veden ääni.	<ul style="list-style-type: none"> <li>Tämä äänen synnyttää yksikön läpi virtaava kylmäaine tai kondenssivesi.</li> </ul>
Joskus saattaa kuuluu sihisevä ääni.	<ul style="list-style-type: none"> <li>Ääni syntyy silloin, kun yksikön sisällä olevan kylmäaineen virtausuunta vaihdetaan.</li> </ul>
Sisäyksiköstä kuuluu moottorin ääni, sekä kieputtava ääni.	<ul style="list-style-type: none"> <li>Ääni syntyy, kun COOL/DRY-toiminnon aikana tiivistynyt vesi valuu pois sisäyksiköstä.</li> <li>Pois valuvan veden ääni saattaa kuulua myös sisäyksiköistä, jotka eivät ole toiminnassa. (Ääni lakkaa automaattisesti. Odota.)</li> </ul>
<b>Ajastin</b>	
Viikkoajastin ei toimi asetusten mukaisesti.	<ul style="list-style-type: none"> <li>Onko ON/OFF-ajastin asetettu?</li> <li>Siirrä viikkoajastimen asetustiedot uudelleen sisäyksikköön. Kun tietojen vastaanotto on onnistunut, sisäyksiköstä kuuluu pitkä piippaus. Jos tietojen vastaanotto ei onnistu, kuuluu 3 lyhyttä piippausta. Varmista, että tietojen vastaanotto on onnistunut.</li> <li>Sähkökatkon sattuessa ja päävirran katketessa sisäyksikön sisäinen kello ei ole enää ajassa. Tästä johtuen viikkoajastin ei ehkä toimi normaalisti. Varmista, että asetat kaukosäätimen paikkaan, josta sen signaali kantaa sisäyksikköön.</li> </ul>
Yksikkö käynnistää/pysäyttää toiminnon itsestään.	<ul style="list-style-type: none"> <li>Onko viikkoajastin asetettu?</li> </ul>



Manual Download



# KUN LUULET, ETTÄ ON SYNTYNYT ONGELMA

Lopeta tällaisissa tapauksissa ilmastointilaitteen käyttö ja ota yhteyttä laitteen toimittajaan.

- Kun sisäyksiköstä vuotaa tai valuu vettä.
- Kun toiminnon vasen merkkivalo vilkkuu.
- Kun katkaisin laukeaa säännöllisesti.
- Kaukosäätimen signaalia ei vastaanoteta, jos huoneessa on sähköinen ON/OFF-tyyppinen loistevalo (invertterityyppiset loistelamput jne.).
- Ilmastointilaitteen käyttö häiritsee televisio- tai radiovastaanottoa. Häiriön kohteena olevaa laitetta varten saatetaan tarvita vahvistin.
- Jos kuuluu epänormaali ääni.
- Kun havaitaan kylmäainevuoto.

## TEKNISET TIEDOT

Malli	Sisäyksikkö		MFZ-KW25VG-E1		MFZ-KW35VG-E1		MFZ-KW50VG-E1		MFZ-KW60VG-E1	
	Ulkoyksikkö		MUFZ-KW25VGHZ-E1		MUFZ-KW35VGHZ-E1		MUFZ-KW50VGHZ-E1		MUFZ-KW60VGHZ-E1	
Toiminto			Jäähdytys	Lämmitys	Jäähdytys	Lämmitys	Jäähdytys	Lämmitys	Jäähdytys	Lämmitys
Virtalähde			~N, 230 V, 50 Hz							
Jäähdytys/lämmitysteho (nimellinen)		kW	2,5	3,4	3,5	4,3	5,0	6,0	6,1	6,5
Ottoteho (nimellinen)		kW	0,57	0,83	0,90	1,21	1,36	1,60	1,73	1,88
Paino	Sisäyksikkö	kg	15							
	Ulkoyksikkö	kg	35				54			
Kylmäaineen täyttökapasiteetti (R32)		kg	1,0				1,3			
IP-luokka	Sisäyksikkö		IP20							
	Ulkoyksikkö		IP24							
Sallittu ylin käyttö-paine	LP ps	MPa	2,77							
	HP ps	MPa	4,17							
Melutaso (SPL)	Sisällä (erittäin korkea/korkea/normaali/matala/hiljainen)	dB(A)	39/35/30/25/20	41/35/30/25/18	39/35/30/25/20	41/35/30/25/18	44/39/35/31/27	50/45/40/35/29	53/46/39/35/27	51/47/41/35/29
	Ulkoyksikkö	dB(A)	47	46	47	47	50	54	52	56

### Taattu käyttöalue

		Sisäyksikkö	Ulkoyksikkö
Jäähdytys	Yläraja	32°C DB 23°C WB	*Huomaus 2
	Alaraja	21°C DB 15°C WB	
Lämmitys	Yläraja	27°C DB —	
	Alaraja	20°C DB —	

DB: Kuiva hehkulamppu  
WB: Märkä hehkulamppu

### Huomaus:

- Luokitusehto  
Jäähdytys — Sisällä: 27°C DB, 19°C WB  
Ulkona: 35°C DB  
Lämmitys — Sisällä: 20°C DB  
Ulkona: 7°C DB, 6°C WB
- Pyydä tekniset tiedot jälleenmyyjältä ja/tai katso ne esitteestä.

UK DECLARATION OF CONFORMITY

**mitsubishi electric corporation, shizuoka works 18-1, oshika 3-cho, suruga-ku, shizuoka-city 422-8528, japan**

hereby declares under its sole responsibility that the air conditioners and heat pumps described below for use in residential, commercial and light-industrial environments:

**mitsubishi electric, mfz-kw25vg-e\*, mfz-kw35vg-e\*, mfz-kw50vg-e\*, mfz-kw60vg-e\***  
\* : , , 1, 2, 3, . . . , 9

Note: Its serial number is on the nameplate of the product.

Directives

**The Electrical Equipment (Safety)Regulations 2016  
The Supply of Machinery (Safety)Regulations 2008  
Electromagnetic Compatibility Regulations 2016  
The Restriction of the Use of Certain Hazardous Substances in Electrical and Electronic Equipment Regulations 2012  
The Ecodesign for Energy-Related Products and Energy Information (Amendment) (EU Exit) Regulations 2019**

Issued: 6 May 2021 Tomoyuki MIWA  
JAPAN Manager, Quality Assurance Department

UK DECLARATION OF CONFORMITY

**mitsubishi electric consumer products (thailand) co., ltd  
700/406 moo 7, tambon don hua roh, amphur muang, chonburi 20000, thailand**

hereby declares under its sole responsibility that the air conditioners and heat pumps described below for use in residential, commercial and light-industrial environments:

**mitsubishi electric, mufz-kw25vgzh-e\*, mufz-kw35vgzh-e\*, mufz-kw50vgzh-e\*, mufz-kw60vgzh-e\***  
\* : , , 1, 2, 3, . . . , 9

Note: Its serial number is on the nameplate of the product.

Directives

**The Electrical Equipment (Safety)Regulations 2016  
The Supply of Machinery (Safety)Regulations 2008  
Electromagnetic Compatibility Regulations 2016  
The Restriction of the Use of Certain Hazardous Substances in Electrical and Electronic Equipment Regulations 2012  
The Ecodesign for Energy-Related Products and Energy Information (Amendment) (EU Exit) Regulations 2019**

Issued: 6 May 2021 Tadashi SAITO  
THAILAND Manager, Quality Assurance Department

EC DECLARATION OF CONFORMITY  
EG-KONFORMITÄTSESKLÄRUNG  
DÉCLARATION DE CONFORMITÉ CE  
EG-CONFORMITEITSVERKLARING  
DECLARACIÓN DE CONFORMIDAD CE  
DICHIARAZIONE DI CONFORMITÀ CE  
ΔΗΛΩΣΗ ΠΙΣΤΟΤΗΤΑΣ ΕΚ  
DECLARAÇÃO DE CONFORMIDADE CE  
EU-OVERENSSTEMMELSESERKLÆRING

EG-DEKLARATION OM ÖVERENSSTÄMMELSE  
EC UYGUNLUK BEYANI  
ΕΣ ΔΕΚΛΑΡΑΪΑ ΖΑ ΣΨΟΤΒΕΤΣΒΙΕ  
DEKLARACJA ZGODNOŚCI WE  
CE-ERKLÆRING OM SAMSVAR  
EY-VAATIMUSTENMUKAISUUSVAKUUTUS  
ES PROHLÁŠENÍ O SHODĚ  
VYHLÁSENIE O ZHODE ES  
EK MEGFELELŐSÉGI NYILATKOZAT

IZJAVA O SKLADNOSTI ES  
DECLARAȚIE DE CONFORMITATE CE  
EU VASTAVUSDEKLARATSIOON  
EK ATBILSTĪBAS DEKLARĀCIJA  
EB ATITIKTIES DEKLARACIJA  
EC IZJAVA O SUKLADNOSTI  
EZ IZJAVA O USAGLAŠENOSTI  
ДЕКЛАРАЦИЯ СООТВЕТСТВИЯ НОРМАМ ЕС  
ДЕКЛАРАЦІЯ ВІДПОВІДНОСТІ НОРМАМ ЄС

**MITSUBISHI ELECTRIC CORPORATION, SHIZUOKA WORKS**  
**18-1, OSHIKA 3-CHOME, SURUGA-KU, SHIZUOKA-CITY 422-8528, JAPAN**

hereby declares under its sole responsibility that the air conditioners and heat pumps described below for use in residential, commercial and light-industrial environments:  
erklärt hiermit auf seine alleinige Verantwortung, dass die Klimaanlage und Wärmepumpen für das häusliche, kommerzielle und leicht-industrielle Umfeld wie unten beschrieben:  
déclare par la présente et sous sa propre responsabilité que les climatiseurs et les pompes à chaleur décrits ci-dessous, destinés à un usage dans des environnements résidentiels, commerciaux et d'industrie légère :  
verklaart hierbij onder eigen verantwoordelijkheid dat de voor residentiële, commerciële en licht-industriële omgevingen bestemde airconditioners en warmtepompen zoals onderstaand beschreven:  
por la presente declara bajo su única responsabilidad que los acondicionadores de aire y bombas de calor descritas a continuación para su uso en entornos residenciales, comerciales y de industria ligera:  
conferma con la presente, sotto la sua esclusiva responsabilità, che i condizionatori d'aria e le pompe di calore descritti di seguito e destinati all'utilizzo in ambienti residenziali, commerciali e semi-industriali:  
με το παρόν πιστοποιεί με αποκλειστική της ευθύνη ότι οι τα κλιματιστικά και οι αντλίες θέρμανσης που περιγράφονται παρακάτω για χρήση σε οικιακό, επαγγελματικό και ελαφριάς βιομηχανίας περιβάλλοντα:  
através da presente declara sob sua única responsabilidade que os aparelhos de ar condicionado e bombas de calor abaixo descritos para uso residencial, comercial e de indústria ligeira:  
erklærer hermed under eneansvar, at de herunder beskrevne airconditionanlæg og varmepumper til brug i privat boligbyggeri, erhvervsområder og inden for let industri:  
intygar härmed att luftkonditioneringarna och värmepumparna som beskrivs nedan för användning i bostäder, kommersiella miljöer och låtta industriella miljöer:  
ev, ticaret ve hafif sanayi ortamlarında kullanılmaya uygun üretilen ve aşağıda açıklanan klima ve ısıtma pompalarıyla ilgili aşağıdaki hususları yalnızca kendi sorumluluğunda beyan eder:  
декларира на своя собствена отговорност, че климатизиците и термopомпите, описани по-долу, за употреба в жилищни, търговски и леки промишлени условия:  
niniejszym oświadczam na swoją wyłączną odpowiedzialność, że klimatyzatory i pompy ciepła opisane poniżej, są przeznaczone do zastosowań w środowisku mieszkalnym, handlowym i lekkim przemysłowym:  
erklærer et fullstendig ansvar for undernevnte klimaanlegg og varmepumper ved bruk i boliger, samt kommersielle og lettindustrielle miljøer:  
vakuuttaa täten yksinomaisella vastuullaan, että jäljempänä kuvatut asuinrakennuksiin, pientaloisuuskäyttöön ja kaupalliseen käyttöön tarkoitettut ilmastointilaitteet ja lämpöpumpat:  
tímto na vlastní odpovědnost prohlašuje, že níže popsané klimatizační jednotky a tepelná čerpadla pro použití v obytných prostedích, komerčních prostedích a prostedích lehkeho prmyslu:  
týmto na svoju výlučnú zodpovednosť vyhlasuje, že nasledovné klimatizačné jednotky a tepelné čerpadlá určené na používanie v obytných a obchodných priestoroch a v prostredí ľahkého priemyslu:  
alulírott kizárólagos felelősségére nyilatkozik, hogy az alábbi lakossági, kereskedelmi és kisipari környezetben való használatra szánt klímaberendezések és hőszivattyúk:  
izjavlja pod izključno lastno odgovornostjo, da so spodaj navedene klimatske naprave in toplotne črpalke, namenjene uporabi v stanovanjskih, komercialnih in lahkoindustrijskih okoljih:  
declară, prin prezenta, pe proprie răspundere, faptul că aparatele de climatizare și pompele de căldură descrise mai jos și destinate utilizării în medii rezidențiale, comerciale și din industria ușoară:  
kinnitab käesolevaga oma ainuvastutusel, et allpool toodud kliimaseadmed ja soojuspumbad on mõeldud kasutamiseks elu-, äri- ja kergtööstuskeskkondades:  
ar šo, vienpersoniski uzņemoties atbildību, paziņo, ka tālāk aprakstītie gaisa kondicionētāji un siltumsūkņi ir paredzēti lietošanai dzīvojamajās, komercdarbības un vieglās rūpniecības telpās.  
šiuo vien tik savo atsakomybe pareiškia, kad toliau apibūdinti oro kondicionieriai ir šilumos siurbļiai skirti naudoti gyvenamosiose, komercinėse ir lengvosios pramonės aplinkose:  
ovime izjavljuje pod isključivom odgovornošću da su klimatizacijski uređaji i toplinske dizalice opisane u nastavku namijenjeni za upotrebu u stambenim i poslovnim okruženjima te okruženjima lake industrije:  
ovim izjavljuje na svoju isključivu odgovornost da su klima-uređaji i toplotne pumpe opisane u daljem tekstu za upotrebu u stambenim, komercijalnim okruženjima i okruženjima sa lakom industrijom:  
настоящим заявляет и берет на себя исключительную ответственность за то, что кондиционеры и тепловые насосы, описанные ниже и предназначенные для эксплуатации в жилых помещениях, торговых залах и на предприятиях легкой промышленности:  
чим заявляє, беручи на себе повну відповідальність за це, що кондиціонери й теплові насоси, описані нижче й призначені для використання в житлових приміщеннях, торговельних залах і на підприємствах легкої промисловості:

**MITSUBISHI ELECTRIC, MFZ-KW25VG-E\*, MFZ-KW35VG-E\*, MFZ-KW50VG-E\*, MFZ-KW60VG-E\***  
\* : , 1, 2, 3, . . . , 9

Note: Its serial number is on the nameplate of the product.  
Hinweis: Die Seriennummer befindet sich auf dem Kennschild des Produkts.  
Remarque : Le numéro de série de l'appareil se trouve sur la plaque du produit.  
Opmerking: het serienummer staat op het naamplaatje van het product.  
Nota: El número de serie se encuentra en la placa que contiene el nombre del producto.  
Nota: il numero di serie si trova sulla targhetta del prodotto.  
Σημείωση: Ο σειριακός του αριθμός βρίσκεται στην πινακίδα ονόματος του προϊόντος.  
Nota: o número de série encontra-se na placa que contém o nome do produto.  
Bemærk: Serienummeret står på produktets fabriksskilt.  
Obs: Serienumret finns på produktens namnplåt.  
Not: Seri numarasi ürünün isim plakasında yer alır.  
Забелешка: Серийният му номер е на табелката на продукта.  
Uwaga: Numer seryjny znajduje się na tabliczce znamionowej produktu.  
Merk: Serienummeret befinnet seg på navneplaten til produktet.

Huomautus: Sarjanumero on merkitty laitteen arvokilpeen.  
Poznámka: Příslušné sériové číslo se nachází na štítku produktu.  
Poznámka: Výrobné číslo sa nachádza na typovom štítku výrobku.  
Megjegyzés: A sorozatszám a termék adattábláján található.  
Opomba: serijska številka je zapisana na tipski ploščici enote.  
Nota: Numarul de serie este specificat pe placa indicatoare a produsului.  
Márkus. Seerianumber asub toote andmesildil.  
Piezīme. Sērijas numurs ir norādīts uz ierīces datu plāksnītes.  
Pastaba. Serijos numeris nurodytas gaminio vardinij duomenų lentelėje.  
Napomena: serijski broj nalazi se na natpisnoj pločici proizvoda.  
Napomena: Serijski broj nalazi se na nazivnoj pločici proizvoda.  
Примечание: серийный номер указан на паспортное табличке изделия.  
Примітка. Серійний номер вказано на паспортній табличці виробу.

Directives	Direttive	Direktifler	Směrnice	Direktiivid	Директивы
Richtlijnen	Οδηγίες	Директиви	Smernice	Direktīvas	Директиви
Directives	Directivas	Dyrektwy	Irányelvek	Direktvyos	
Richtlijnen	Direktiver	Direktury	Direktive	Direktive	
Directivas	Direktiv	Direktiivit	Directive	Direktive	

2014/35/EU: Low Voltage Directive  
2006/42/EC: Machinery Directive  
2014/30/EU: Electromagnetic Compatibility Directive  
2009/125/EC: Energy-related Products Directive and Regulation (EU) No 206/2012  
2011/65/EU: RoHS

Issued: 6 May 2021  
JAPAN Tomoyuki MIWA Senior Manager, Quality Assurance Department



EC DECLARATION OF CONFORMITY  
EG-KONFORMITÄTSEKTLÄRUNG  
DÉCLARATION DE CONFORMITÉ CE  
EG-CONFORMITEITSVERKLARING  
DECLARACIÓN DE CONFORMIDAD CE  
DICHIARAZIONE DI CONFORMITÀ CE  
ΔΗΛΩΣΗ ΠΙΣΤΟΤΗΤΑΣ ΕΚ  
DECLARAÇÃO DE CONFORMIDADE CE  
EU-OVERENSSTEMMELSESEKTLÆRING

EG-DEKLARATION OM ÖVERENSSTÄMMELSE  
EC UYGUNLUK BEYANI  
ΕΣ ΔΕΚΛΑΡΑΨΙΑ ΖΑ ΣΨΟΤΒΕΤΣΒΙΕ  
DEKLARACJA ZGODNOŚCI WE  
CE-ERKLÆRING OM SAMSVAR  
EY-VAATIMUSTENMUKAISUUSVAKUUTUS  
ES PROHLÁŠENÍ O SHODĚ  
EY-HLÁŠENIE O ZHODE ES  
EK MEGFELELŐSÉGI NYILATKOZAT

IZJAVA O SKLADNOSTI ES  
DECLARAȚIE DE CONFORMITATE CE  
EU VASTAVUSDEKLARAATIOON  
EK ATBILSTĪBAS DEKLARĀCIJA  
EB ATITIKTIES DEKLARĀCIJA  
EC IZJAVA O SUKLADNOSTI  
EZ IZJAVA O USAGLAŠENOSTI  
ДЕКЛАРАЦИЯ СООТВЕТСТВИЯ НОРМАМ ЕС  
ДЕКЛАРАЦІЯ ВІДПОВІДНОСТІ НОРМАМ ЄС

**MITSUBISHI ELECTRIC CONSUMER PRODUCTS (THAILAND) CO., LTD**  
**700/406 MOO 7, TAMBON DON HUA ROH, AMPHUR MUANG, CHONBURI 20000, THAILAND**

hereby declares under its sole responsibility that the air conditioners and heat pumps described below for use in residential, commercial and light-industrial environments:  
erklärt hiermit auf seine alleinige Verantwortung, dass die Klimaanlage und Wärmepumpen für das häusliche, kommerzielle und leicht-industrielle Umfeld wie unten beschrieben:  
déclare par la présente et sous sa propre responsabilité que les climatiseurs et les pompes à chaleur décrits ci-dessous, destinés à un usage dans des environnements résidentiels, commerciaux et d'industrie légère :  
verklaart hierbij onder eigen verantwoordelijkheid dat de voor residentiële, commerciële en licht-industriële omgevingen bestemde airconditioners en warmtepompen zoals onderstaand beschreven:  
por la presente declara bajo su única responsabilidad que los acondicionadores de aire y bombas de calor descritas a continuación para su uso en entornos residenciales, comerciales y de industria ligera:  
conferma con la presente, sotto la sua esclusiva responsabilità, che i condizionatori d'aria e le pompe di calore descritti di seguito e destinati all'utilizzo in ambienti residenziali, commerciali e semi-industriali:  
με το παρόν πιστοποιεί με αποκλειστική της ευθύνη ότι οι τα κλιματιστικά και οι αντλίες θέρμανσης που περιγράφονται παρακάτω για χρήση σε οικιακό, επαγγελματικό και ελαφριάς βιομηχανίας περιβάλλοντα:  
através da presente declara sob sua única responsabilidade que os aparelhos de ar condicionado e bombas de calor abaixo descritos para uso residencial, comercial e de indústria ligeira:  
erklærer hermed under eneansvar, at de herunder beskrevne airconditionanlæg og varmepumper til brug i privat boligbyggeri, erhvervsområder og inden for let industri:  
intyggar härmed att luftkonditioneringarna och värmepumparna som beskrivs nedan för användning i bostäder, kommersiella miljöer och lätta industriella miljöer:  
ev, ticaret ve hafif sanayi ortamlarında kullanılan amaçlı üretilen ve aşağıda açıklanan klima ve ısıtma pompalarıyla ilgili aşağıdaki hususları yalnızca kendi sorumluluğunda beyan eder:  
декларира на своя собствена отговорност, че климатизиците и термopомпите, описани по-долу, за употреба в жилищни, търговски и леки промишлени условия:  
niniejszym oświadczam na swoją wyłączną odpowiedzialność, że klimatyzatory i pompy ciepła opisane poniżej, są przeznaczone do zastosowań w środowisku mieszkalnym, handlowym i lekko uprzemysłowionym:  
erklærer et fullstendig ansvar for undernevnte klimaanlegg og varmepumper ved bruk i boliger, samt kommersielle og lettindustrielle miljøer:  
vakuuttaa täten yksinomaan vastuullaan, että jäljempänä kuvatut asuinrakennuksiin, pientaloisuuskäyttöön ja kaupalliseen käyttöön tarkoitettu ilmastointilaitteet ja lämpöpumpat:  
tímto na vlastní odpovědnost prohlašuje, že níže popsané klimatizační jednotky a tepelná čerpadla pro použití v obytných prostedích, komerčních prostedích a prostedích lehkeho prumyslu:  
týmto na svoju výlučnú zodpovednosť vyhlasuje, že nasledovné klimatizačné jednotky a tepelné čerpadlá určené na používanie v obytných a obchodných priestoroch a v prostredí ľahkého priemyslu:  
alulírott kizárólagos felelősségére nyilatkozik, hogy az alábbi lakossági, kereskedelmi és kisipari környezetben való használatra szánt klímaberendezések és hőszivattyúk:  
izjavlja pod izključno lastno odgovornostjo, da so spodaj navedene klimatske naprave in toplotne črpalke, namenjene uporabi v stanovanjskih, komercialnih in lahkoindustrijskih okoljih:  
declară, prin prezenta, pe proprie răspundere, faptul că aparatele de climatizare și pompele de căldură descrise mai jos și destinate utilizării în medii rezidențiale, comerciale și din industrie ușoară:  
kinnitab käesolevaga oma ainuvastutusel, et allpool toodud kliimaseadmed ja soojuspumbad on mõeldud kasutamiseks elu-, äri- ja kergtööstuskeskkondades:  
ar šo, vienpersoniski uzņemoties atbildību, paziņo, ka tālāk aprakstītie gaisa kondicionētāji un siltumsūkņi ir paredzēti lietošanai dzīvojamajās, komercdarbības un vieglās rūpniecības telpās.  
šiuo vien tik savo atsakomybe pareiškia, kad toliau apibūdinti oro kondicionieriai ir šilumos siurbļiai skirti naudoti gyvenamosiose, komercinėse ir lengvosios pramonės aplinkose:  
ovime izjavljuje pod isključivom odgovornošću da su klimatizacijski uređaji i toplinske dizalice opisane u nastavku namijenjeni za upotrebu u stambenim i poslovnim okruženjima te okruženjima lake industrije:  
ovim izjavljuje na svoju isključivu odgovornost da su klima-uređaji i toplotne pumpe opisane u daljem tekstu za upotrebu u stambenim, komercijalnim okruženjima i okruženjima sa lakom industrijom:  
настоящим заявляет и берет на себя исключительную ответственность за то, что кондиционеры и тепловые насосы, описанные ниже и предназначенные для эксплуатации в жилых помещениях, торговых залах и на предприятиях легкой промышленности:  
чим заявляє, беручи на себе повну відповідальність за це, що кондиціонери й теплові насоси, описані нижче й призначені для використання в житлових приміщеннях, торговельних залах і на підприємствах легкої промисловості:

**MITSUBISHI ELECTRIC, MUFZ-KW25VGZ-E\*, MUFZ-KW35VGZ-E\*, MUFZ-KW50VGZ-E\*, MUFZ-KW60VGZ-E\***  
\* : , , 1, 2, 3, . . . , 9

Note: Its serial number is on the nameplate of the product.  
Hinweis: Die Seriennummer befindet sich auf dem Kennschild des Produkts.  
Remarque : Le numéro de série de l'appareil se trouve sur la plaque du produit.  
Opmerking: het serienummer staat op het naamplaatje van het product.  
Nota: El número de serie se encuentra en la placa que contiene el nombre del producto.  
Nota: il numero di serie si trova sulla targhetta del prodotto.  
Σημείωση: Ο σειριακός του αριθμός βρίσκεται στην πινακίδα ονόματος του προϊόντος.  
Nota: o número de série encontra-se na placa que contém o nome do produto.  
Bemærk: Serienummeret står på produktets fabriksskilt.  
Obs: Serienumret finns på produktens namnplåt.  
Not: Serî numarasi ürünün isim plakasında yer alır.  
Забелешка: Серийният му номер е на табелката на продукта.  
Uwaga: Numer serjnyj znajduje się na tabliczce znamionowej produktu.  
Merk: Serienummeret befinnet seg på navneplaten til produktet.

Huomautus: Sarjanumero on merkitty laitteen arvokilpeen.  
Poznámka: Příslušné sériové číslo se nachází na štítku produktu.  
Poznámka: Výrobné číslo sa nachádza na typovom štítku výrobku.  
Megjegyzés: A sorozatszám a termék adattábláján található.  
Opomba: serijska številka je zapisana na tipski ploščici enote.  
Notă: Numărul de serie este specificat pe plăcuța indicatoare a produsului.  
Márkus: Seerianumber asub toote andmesildil.  
Piezīme: Sērijas numurs ir norādīts uz ierīces datu plāksnītes.  
Pastaba: Serijos numeris nurodytas gaminio vardinį duomenų lentelėje.  
Napomena: serijski broj nalazi se na natpisnoj pločici proizvoda.  
Napomena: Serijski broj nalazi se na nazivnoj pločici proizvoda.  
Примечание: серийный номер указан на паспортной табличке изделия.  
Примітка: Серійний номер вказано на паспортній таблиці виробу.

Directives	Direttive	Direktifler	Směrnice	Direktiivid	Директивы
Richtlijnen	Οδηγίες	Директиви	Smernice	Direktīvas	Директиви
Directives	Direktivas	Dyrektwy	Irányelvek	Direktivos	
Richtlijnen	Direktiver	Direktiver	Direktive	Direktive	
Directivas	Direktiv	Direktiivit	Directive	Direktive	

2014/35/EU: Low Voltage Directive  
2006/42/EC: Machinery Directive  
2014/30/EU: Electromagnetic Compatibility Directive  
2009/125/EC: Energy-related Products Directive and Regulation (EU) No 206/2012  
2011/65/EU: RoHS

Issued: 6 May 2021  
THAILAND

Tadashi SAITO  
Senior Manager, Quality Assurance Department

**MITSUBISHI ELECTRIC CORPORATION**

HEAD OFFICE: TOKYO BUILDING, 2-7-3, MARUNOUCHI, CHIYODA-KU, TOKYO 100-8310, JAPAN

JG79Y937H02